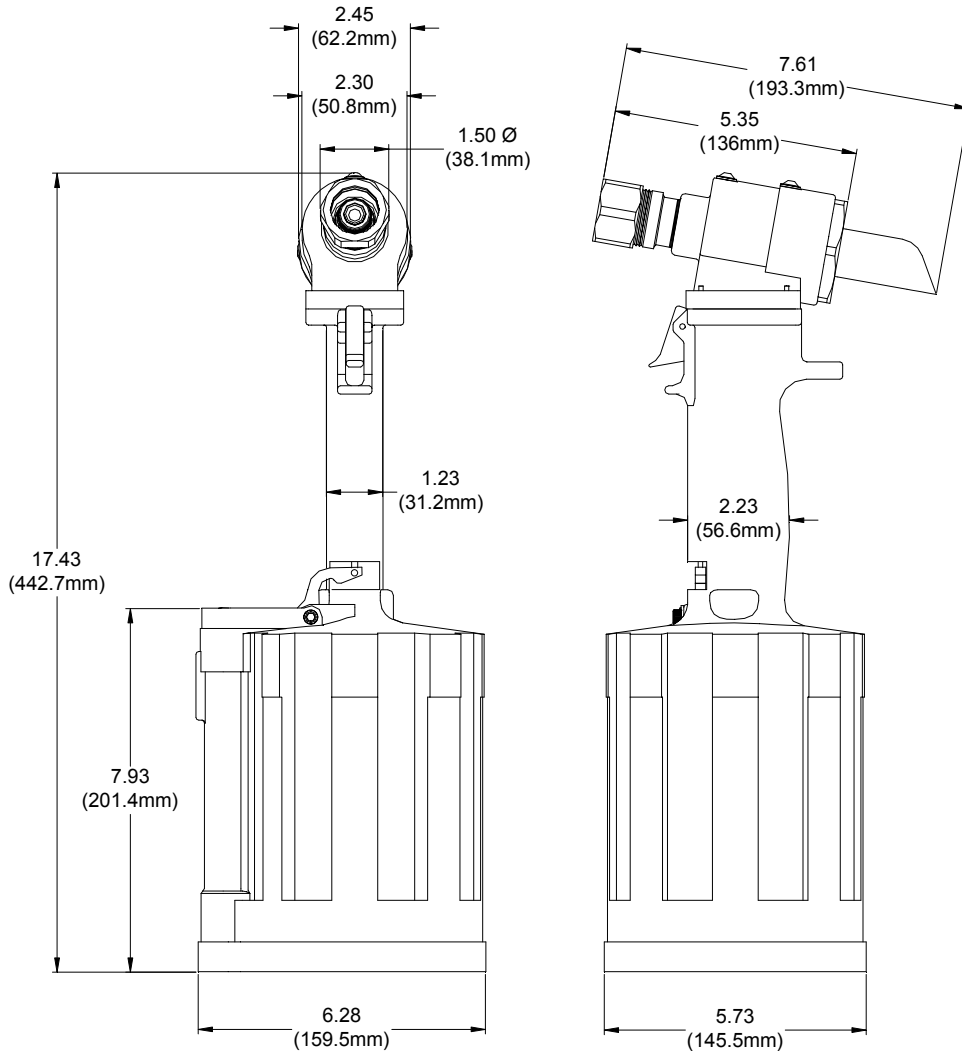


GB756

INSTALLATION TOOL



DESCRIPTION

The GB756 is a hydraulic installation tool designed specifically for the efficient installation of a wide range of blind, lockbolt and Magna-Grip® fasteners thru 3/8" diameter. It weighs 11.1 lbs. and can be operated in any position with one hand. It has a .960" rivet setting stroke and a rated pull load of 10,000 pounds.

The GB756 riveter operates on a wide range of air pressure, with 90 to 100 psi providing the maximum efficiency. At 90 psi. air pressure, the GB756 does not exceed 82 db (A) and consumes 6.0 cfm at 20 cycles per minute.

The air inlet is provided with 1/4-18 female pipe threads for accepting the user's air hose fitting.

NOSE ASSEMBLIES ARE NOT FURNISHED WITH THIS RIVETER AND MUST BE ORDERED SEPARATELY.

GAGE BILT
MADE IN U.S.A.

GAGE BILT Inc.
44766 Centre Court (586) 226-1500
Clinton Twp. MI 48038 (586) 226-1505 Fax
e-mail:solutions@gagebilt.com / www.gagebilt.com

SELECTION CHART FOR GB756



FASTENER	DIA.	STRAIGHT		**RIGHT ANGLE	*OFFSET	
ASP® 2 ASP & ASP PF ASP FF & ASP F ASP-LC and MAF	13/64	ASP06-745C-23	ASP06-745C-48	**ASP06-751B-54RA	ASP06-204D-27OS	ASP06-204D-37OS
	17/64	ASP08-745C-23	ASP08-745C-48		ASP08-204D-27OS	ASP08-204D-37OS
	21/64	ASP10-755-23	ASP10-755-48		ASP10-204D-27OS	ASP10-204D-37OS
BOM® AVBOLT®	1/4	BOM08-755-23				
	5/16 3/8	BOM10-756-26 BOM12-756-26				
COMMERCIAL LOCKBOLTS C6L® AVDELOK®	3/16	NAS06-745B-12	NAS06-755-48		NAS06-204C-25OS	NAS06-204C-30OS
	1/4	NAS06-755-23			NAS06-204C-34OS	
		NAS08-745B-12	NAS08-755-48		NAS08-204C-25OS	NAS08-204C-30OS
	5/16 3/8	NAS08-755-23 LB10-745C-26 LB12-756-26	NAS10-756-48 NAS12-756-48		NAS08-205A-31 NAS10-205A-31 NAS12-205A-31	NAS08-204C-34OS
CONTAINER BOLT	3/8	HT12-745B-28				
FLOOR BOLT	5/16	FT10-745B-26				
LGP® LOCKBOLT	5/32	LGP05-745B-12	LGP05-755-23		LGP05-204C-25OS	LGP05-204C-30OS
LGPL2SC-V BACB30VM LGPL18SC-V BACB30XT	3/16	LGP05-755-48			LGP05-204C-34OS	
		LGP06-745B-12	LGP06-755-23		LGP06-204C-25OS	LGP06-204C-30OS
LGPL4SC-V ABS0548	1/4	LGP06-755-48			LGP06-204C-34OS	
LGPL2SP-V BACB30VN		LGP08-745B-12	LGP08-755-23		LGP08-204C-25OS	LGP08-204C-30OS
LGPL4SP-V ASNA2392	5/16	LGP08-755-48			LGP08-204C-34OS	LGP08-205A-31
LGPL8SC-V BACB30WD	3/8	LGP10-745B-12	LGP10-756-26		LGP10-205A-31	
LGPL9SC-V BACB30WB LGPL9SP-V BACB30VY		LGP12-745B-12	LGP12-756-26		LGP12-205A-31	
NAS and GP® SHEAR/TENSION LOCKBOLTS	5/32	NASS05-745B-12	NAST05-745B-12		NASS05-204C-25OS	NAST05-204C-20OS
	3/16	NASS05-755-23	NAST05-755-23		NASS05-204C-30OS	NAST05-204C-30OS
		NASS05-755-48	NAST05-755-48		NASS05-204C-34OS	NAST05-204C-34OS
	1/4	NAS06-745B-12	NAS06-755-23		NAS06-204C-25OS	NAS06-204C-30OS
		NAS06-755-48			NAS06-204C-34OS	
	5/16	NAS08-745B-12	NAS08-755B-23		NAS08-204C-25	NAS08-204C-30
		NAS08-755-48			NAS08-204C-34	NAS08-205A-31
	3/8 2	NAS10-745B-12	NAS10-756-26	NAS10-205A-31		
3/8	NAS10-756-48					
3/8	NAS12-745B-12	NAS12-745B-23	NAS12-205A-31			
3/8	NAS12-745B-12	NAS12-756-26	NAS12-205A-31			
MULTI-GRIP LOCKBOLT MAGNA-GRIP® and MAXLOK®	3/16	MG06-745-48				
	1/4	MG08-745-48				
	5/16	MG10-756-28				
	3/8	MG12-756-28				
MULTI-GRIP STRUCTURAL BLIND RIVET	5/16	MGL10-353-28				
	3/8	MGL12-353C-28				
OVERSIZE STRUCTURAL RIVET	1/4	OS08-353A-48				
	5/16	OS10-756-26	OS10-756-48			
	3/8	OS12-756-26	OS12-756-48			
BLIND BOLT (SINGLE ACTION) WITH OR W/OUT DRIVE WASHER	5/32	SB05-745C-23	SB05-745C-48	**SB05-751B-54RA	SB05-204D-27OS	SB05-204D-37OS
	3/16	SB06-745C-23	SB06-745C-48	**SB06-751B-54RA	SB06-204D-27OS	SB06-204D-37OS
	1/4	SB08-755-23	SB08-755-48	***SB08-713A-58RA	SB08-204D-27OS	SB08-204D-37OS
	5/16	SB10-756-28	SB10-756-48		SB08-205-35	
		3/8	SB12-756-28	SB12-756-48	SB10-205A-35	SB12-205A-35

ASP®, BOM®, LGP®, C6L®, GP®, AND MAGNA-GRIP® ARE REGISTERED TRADEMARKS OF ALCOA INC. AVBOLT®, AVDELOK®, AND MAXLOK® ARE REGISTERED TRADEMARKS OF AVDEL UK LIMITED.

GAGE BILT CERTIFIES THE GB756 WILL INSTALL THE ABOVE FASTENERS

*ALL OFFSET 204 SERIES NOSES REQUIRE 353204 ADAPTER WITH 756152 STROKE LIMITER.
*ALL OFFSET 205 SERIES NOSES REQUIRE 353205 ADAPTER WITH 756153 STROKE LIMITER.
** -54RA RIGHT ANGLE SERIES NOSES REQUIRE 745751 ADAPTER WITH 756155 STROKE LIMITER.
*** -58RA RIGHT ANGLE NOSES REQUIRE 745751 WITH 756152 STROKE LIMITER.

NOTE: THE LAST 2 DIGITS OF THE NOSE ASSEMBLY REPRESENTS THE LENGTH THE NOSE
EXTENDS FROM THE TOOL I.E. -20 = 2.0 INCHES

12/11



**GAGE BILT ALSO SUPPLIES PIN & COLLAR SWAGE INSPECTION
GAGES TO CERTIFY CORRECT SWAGE INSTALLATION.**

