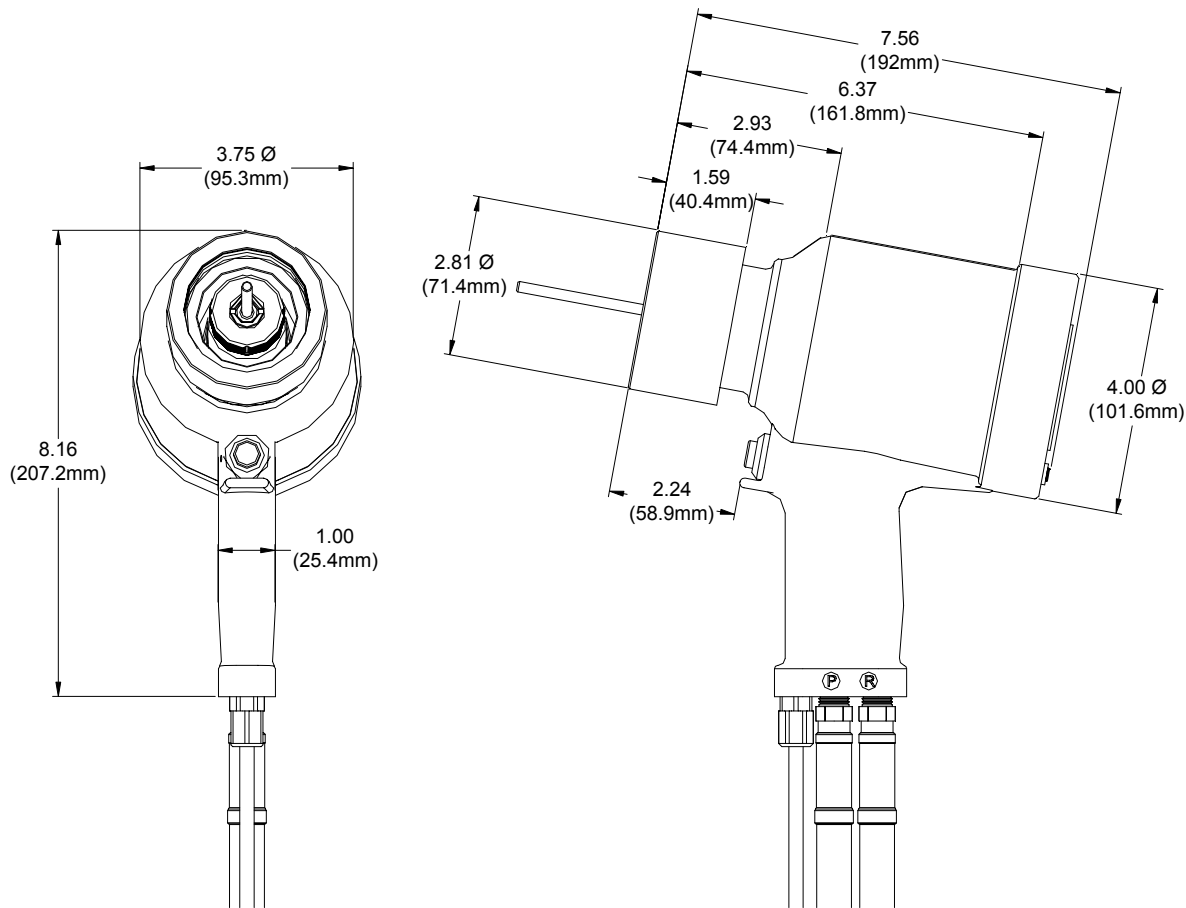


GBP2628

HYDRAULIC INSTALLATION TOOL



DESCRIPTION

The GBP2628 is a hydraulic installation tool capable of installing 1/2", 5/8" & 3/4" lockbolts. It weighs 20.8 lbs (9.43 kg) and can be operated in any position. It has a 1.812" (46mm) rivet setting stroke and a rated pull load of 45,769 lbs (203.58 kN) @ 7,400 psi. (510.2 bar).

Normal operating pressure is set at 7,400 psi. (510.2 bar) PULL pressure and 3,200 psi. (220.6 bar) RETURN pressure, enabling the tool to pull all the fasteners listed on the selection chart without adjusting pressures. Powerunit may be set to the pressures only needed to pull your specific fastener using 942280 pressure setting gauge. The tool comes equipped with 24" hoses and electric cord kit complete with quick disconnects.

NOSE ASSEMBLIES ARE NOT FURNISHED WITH THE TOOL AND MUST BE ORDERED SEPARATELY.

GAGE BILT
MADE IN U.S.A.

GAGE BILT Inc.

44766 Centre Court (586) 226-1500
Clinton Twp. MI 48038 (586) 226-1505 Fax
e-mail:solutions@gagebilt.com / www.gagebilt.com

GBP2628 SELECTION CHART

| FASTENER | DIA. | NOSE ASSEMBLY |
|--|----------------------|---|
| LOCKBOLT HIGH TENSILE PULL TYPE C50L® LD AVDELOK® | 1/2" 5/8" 3/4" | 16-7624-40 20-585-41 24-585-46 |
| BOM® AVBOLT® | 1/2" 5/8" 3/4" | BOM16-7624-40 BOM20-585-41 BOM24-585-46 |

C50L® AND BOM® ARE REGISTERED TRADEMARKS OF ALCOA INC. AVDELOK® AND AVBOLT® ARE REGISTERED TRADEMARKS OF AVDEL UK LIMITED

THE GBP2628 IS APPROVED TO INSTALL THE ABOVE FASTENERS.

NOTE: THE LAST 2 DIGITS OF THE NOSE ASSEMBLY REPRESENTS THE LENGTH THE NOSE ASSEMBLY EXTENDS FROM THE TOOL. (I.e. -40 = 4.0 inches)

7/11

WARRANTY

Seller warrants that all goods covered by this catalog will conform to applicable specifications and will replace, or repair, F.O.B. our plant, any goods providing defective from faulty workmanship, or material, for 90 days from date of shipment.

Said warranty to remain in effect if and only if such goods are used in accordance with all instructions as to maintenance, operation, and use set forth in manuals and instruction sheets furnished by seller.

Sellers obligation under this warranty shall be limited to the repair or rework of the goods supplied or replacement thereof, at Seller's option, and in no case is to exceed the invoice value of said goods. Under no circumstances will seller be liable for incidental or consequential damages or for damages incurred by the buyer or subsequent user in repairing or replacing defective goods or if the goods covered by this warranty are reworked or subjected to any type of additional processing.

This warranty is void if Seller is not notified in writing of any rejections or defects within 90 days after the receipt of the material by the customer.

THIS WARRANTY IS MADE IN LIEU OF ALL OTHER WARRANTIES, EXPRESS OR IMPLIED, INCLUDING MERCHANTABILITY.