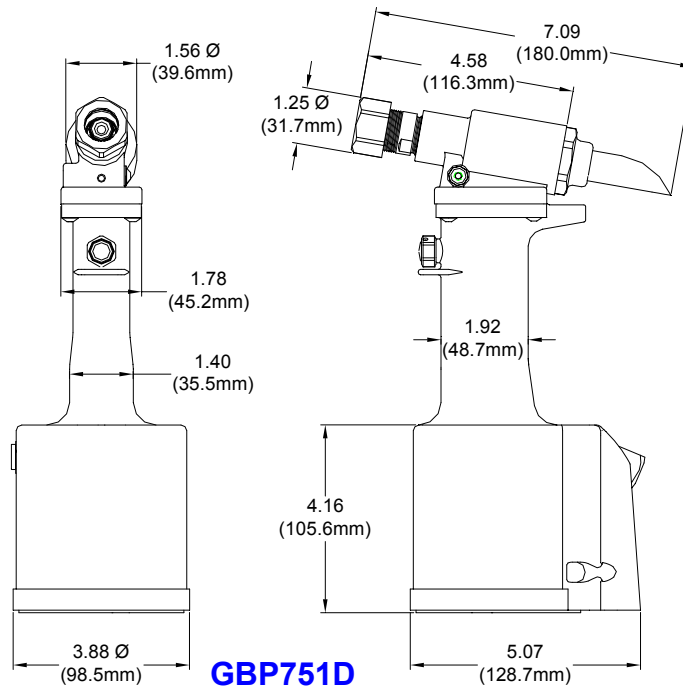
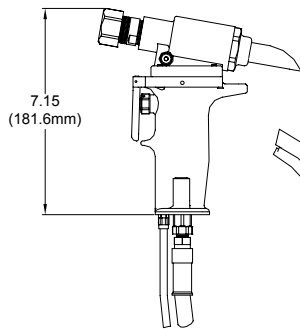


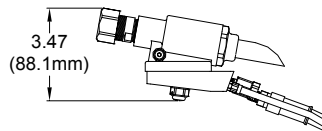
GBP751D SERIES INSTALLATION TOOLS



GBP751D



GBP751DSH



GBP751DSR

**GAGE BILT TOOLS ARE AVAILABLE WORLDWIDE
E-MAIL US FOR A DISTRIBUTOR NEAR YOU**

GAGE BILT

MADE IN U.S.A.

GAGE BILT PRODUCTS CORP.

44766 Centre Court

(586) 226-1500

Clinton Twp. MI 48038

(586) 226-1505 Fax

e-mail: solutions@gagebilt.com / www.gagebilt.com

DESCRIPTION

The GBP751D series are pneumatic-hydraulic tools designed specifically for the efficient installation of a wide range of blind rivets. They can be operated in any position with one hand. They have a rated pull load of 2200 pounds with 90 psi air pressure at the air inlet.

The GBP751DSH and GBP751DSR riveters offer a unique "split" system providing the operator with an ergonomic tool with reduced hand held weight, as shown below.

The GBP751D series riveters operate on a wide range of air pressure, with 90 to 100 psi providing the maximum efficiency. At 90 lbs air pressure, the GBP751C series does not exceed 85 db (A) and consumes 3 cfm at 20 cycles a minute.

The air inlet is provided with 1/4-18 female pipe threads to accept the users air hose fitting.

NOSE ASSEMBLIES ARE NOT FURNISHED WITH TOOL AND MUST BE ORDERED SEPARATELY.

GBP751D

Stroke - .780"
Hand held weight - 4.50 lbs.
Entire tool weight - 4.50 lbs
Pull load - 2,200

GBP751DSH

Stroke - .780"
Hand held weight - 2.25 lbs.
Entire tool weight - 7.25 lbs
Pull load - 2,200

GBP751DSR

Stroke - .780"
Hand held weight - 1.75 lbs.
Entire tool weight - 6.75 lbs
Pull load - 2,200

GBP751D SERIES SELECTION CHART



FASTENER	DIA.	STRAIGHT		RIGHT ANGLE	OFFSET
MS90353S & U & MS90354S & U MS21140S & U & MS21141S & U CR7000 SERIES BACB30YY, YU, & YT	5/32	SB05-752B-20 SB05-752B-80	SB05-752B-45	SB05-751B-54RA	SB05-752A-43OS
MS90353S & U & MS90354S & U MS21140S & U & MS21141S & U "U" TYPE BLIND BOLT W/ LOCKING WASHER	5/32	UBB05-752B-20 UBB05-752B-80	UBB05-752B-45	UBB05-751B-54RA	UBB05-752A-43OS
EN6122 & UAB130-EU EN6127 & UAB6127-EU EN6128 & UAB100-EU EN6129 & UABP-EU	5/32	UAB568-713-21	UAB568-713-61	UAB05-751B-54RA	UAB05-752A-43OS
SINGLE ACTION BLIND RIVET NAS1919S & U NAS1921S & U	1/8 5/32 3/16 1/4	SMLS04-752B-20 SMLS05-752B-20 SMLS06-752B-20 SMLS08-752B-20	SMLS04-752B-45 SMLS05-752B-45 SMLS06-752B-45 SMLS08-752B-45	SMLS04-751B-54RA SMLS05-751B-54RA SMLS06-751B-54RA	SMLS04-752A-43OS SMLS05-752A-43OS SMLS06-752A-43OS SMLS08-752A-43OS
"A" CODE NAS1398A & NAS1399A	3/32 1/8 5/32 3/16	3A-352B-25 4A-752B-20 5A-752B-20 6A-752B-20	3A-352-61 4A-752B-45 5A-752B-45 6A-752B-45	3A-751B-54RA 4A-751B-54RA 5A-751B-54RA 6A-751B-54RA	4A-752A-43OS 5A-752A-43OS 6A-752A-43OS
NUT PLATE RIVETS CCR244/264/274 BACR15DR MS20600	3/32 1/8	3NP-352-21 5N-352-21	3NP-352-61 5N-352-61	3NP-751B-54RA 5N-751B-54RA	3NP-751-43OS 5N-751-43OS
BACR15FR/FP, BACR15GF/GK, NAS1919S & U & NAS1921S & U "U" TYPE BLIND RIVET WITH LOCKING WASHER NAS9301-9312	1/8 5/32 3/16	456MAX-751A-21	456MAX-751A-61	456MAX-751C-54RA	456MAX-752-42OS
ASP 2, ASP FF, ASP 4 FF, ASP 2 F, ASP 2 LC	13/64	ASP06-752B-20	ASP06-752B-45	ASP06-751B-54RA	ASP06-752A-43OS
NAS1719, NAS1720 NAS1721	1/8 5/32 3/16	MBC04-752B-20 MBC05-752B-20 MBC06-752B-20	MBC04-752B-45 MBC05-752B-45 MBC06-752B-45	MBC04-751A-54RA MBC05-751A-54RA MBC06-751A-54RA	MBC04-752A-43OS MBC05-752A-43OS MBC06-752A-43OS
GROUND STUD, M83454 & BACS53B	8/32 10/32	GS8-752B-20 GS10-752B-20	GS8-752B-45 GS10-752B-45	GS8-751B-54RA GS10-752A-54RA	GS8-752A-43OS GS10-752A-43OS
OPEN END, CLOSED END, C'SUNK, PROTRUDING HEAD COMMERCIAL NAIL RIVETS	3/32 1/8 5/32 3/16	3N-352-21 4N-352-21 5N-352-21 6N-352-21	3N-352-61 4N-352-61 5N-352-61 6N-352-61	3N-751B-54RA 4N-751B-54RA 5N-751B-54RA 6N-751B-54RA	3N-751-43OS 4N-751-43OS 5N-751-43OS 6N-751-43OS

THE GAGE BILT GBP751D TOOL IS APPROVED TO INSTALL THE ABOVE FASTENERS

1) RIGHT ANGLE NOSE ASSEMBLYS MAY REQUIRE MORE THAN ONE PULL.
2) INSTALLS ALL THREE DIAMETERS.
3) ALUMINUM ONLY.

Rev. 11/08

NOTE: THE LAST 2 DIGITS OF THE NOSE ASSEMBLY REPRESENTS THE LENGTH
THE NOSE EXTENDS FROM THE TOOL I.E. -20 = 2.0 INCHES