

GAGE BILT...solutions

Introducing the GBP713BBK & GBP713BBK-1... Blind Bolt Kit

GAGE BILT now offers a complete tool kit for installing Huck® and Cherry® blind bolts per MS21140 & MS21141 (U or S) and MS90353 & MS90354 (U or S). The basic kit, GBP713BBK, contains straight noses to install -5, -6 & -8 diameters, a bleeder bottle, pintail catcher bag and a grip selector gage. The dash one kit also contains right angle and offset noses, adapter and stroke limiters. Must items for re-work operations. All these items are stored in an easy access carrying case with manuals and data sheets.










Please view the back of this flyer for pictures of your MS fasteners and noses to match.

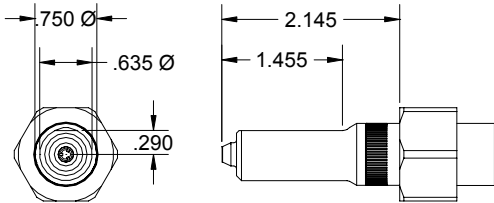
GAGE BILT
MADE IN U.S.A.

GAGE BILT Inc.

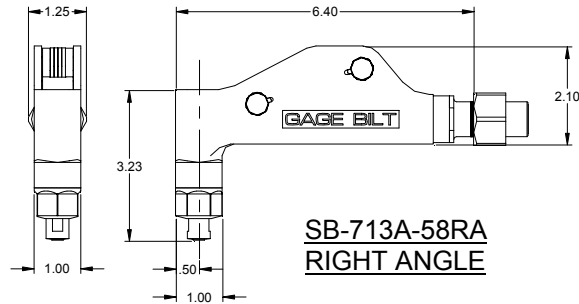
44766 Centre Court (586) 226-1500
Clinton Twp MI 48038 (586) 226-1505 Fax
e-mail:solutions@gagebilt.com / www.gagebilt.com

BLIND BOLT	DIA.	NOSE ASSEMBLIES			
		STRAIGHT	RIGHT ANGLE	OFFSET	RIVET NUMBER
	5/32"	*SB05-752C-20	**SB05-751B-54RA	SB05-752A-43OS	MS90353S & U & MS90354S & U MS21140S & U & MS21141S & U CR7000 SERIES BACB30YY, YU, & YT
	5/32"				
	3/16"	*SB06-752C-20	**SB06-751B-54RA	SB06-204D-27OS	
	3/16"				
	1/4"	SB08-713-20 (REQUIRES 105 PSI FOR ALLOY STEEL)	SB08-713A-58RA	SB08-204D-27OS (REQUIRES 105 PSI FOR ALLOY STEEL)	
	1/4"				
	1/4"				

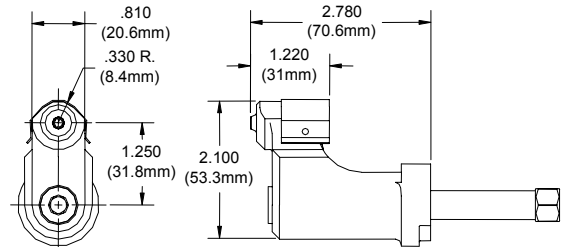
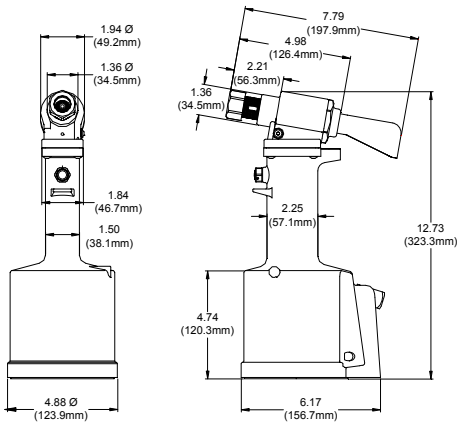
*NOSES LISTED PROTRUDE 2 INCHES FROM THE TOOL. LONGER NOSES ARE AVAILABLE.
 **REQUIRES 722140 STROKE LIMITER.
 FOR 4.5 INCHES ORDER SBXX-752B-45
 FOR 8.0 INCHES ORDER SBXX-752B-80



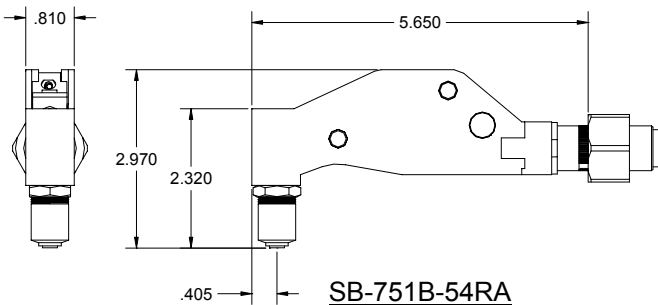
STRAIGHT



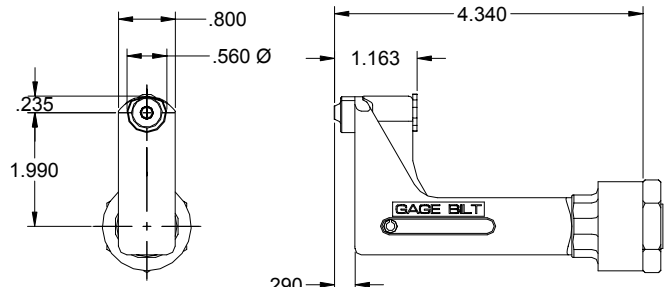
**SB-713A-58RA
RIGHT ANGLE**



**SB-204D-27OS
OFFSET**



**SB-751B-54RA
RIGHT ANGLE**



**SB-752A-43OS
OFFSET**