

GAGE BILT... solutions

Introducing the GBP75200K... Trailer and Cab Kit

Choose GAGE BILTS' blind rivet and lockbolt installation kit designed especially for owner-operators. The GBP75200K can be configured to meet your needs, whether you're fixing Wabash, Great Dane, Peterbilt, Kenworth or any other brand trailer or truck. The kit includes nose assemblies to pull your fasteners, and at the heart of the system is our compact, yet robust, GBP752E installation tool. All of this is conveniently stored in a metal tool case.



Get a look at the back of this page and select your fasteners. This kit can be equipped with the noses you require. The basic GBP75200K kit comes with two noses and a catcher bag for pintails. A 1/4" Magna-Grip® nose for the hood and cab and a 3/16" nose for the stainless steel grill bolt. Most 1/4" fasteners require 2 pulls. The GBP75200K-1 kit contains two noses, a 3/16" & 1/4" Magna-Grip® and a catcher bag. The GBP75200K-2 kit contains two noses, a 3/16" Magna-Grip®, a 3/16" nose for the stainless steel grill bolt & a catcher bag. If you want to make sure you've got all your bases covered order the GBP75200KE. It contains all the noses listed on the back of this page.

GAGE BILT
MADE IN U.S.A.

GAGE BILT PRODUCTS CORP.
44766 Centre Court (586) 226-1500
Clinton Twp. MI 48038 (586) 226-1505 Fax
e-mail:solutions@gagebilt.com / www.gagebilt.com

LOCKBOLTS

	3/16"	STAINLESS STEEL C6L	(1,3,4) LB06-722-20
	3/16"	STEEL C6L	
	3/16"	ALUMINUM C6L	
	1/4"	STAINLESS STEEL C6L	(4) LB08-722-20
	1/4"	STEEL C6L	
	1/4"	ALUMINUM C6L	
	3/16"	STEEL MAGNA-GRIP®	(2,3,4) MG06-722-20
	3/16"	ALUMINUM MAGNA-GRIP®	
	1/4"	STEEL MAGNA-GRIP®	(1,2,4) MG08-722-20
	1/4"	ALUMINUM MAGNA-GRIP®	

*NOSES LISTED PROTRUDE 2 INCHES FROM THE TOOL. LONGER NOSES ARE AVAILABLE.

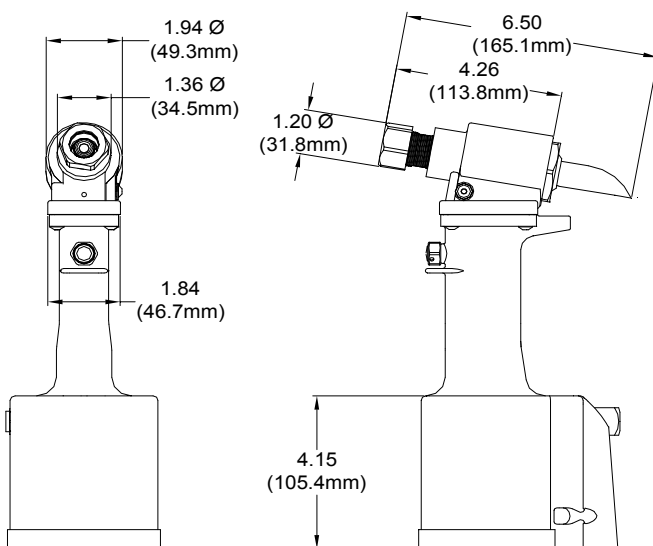
1)

Included in GBP7520OK

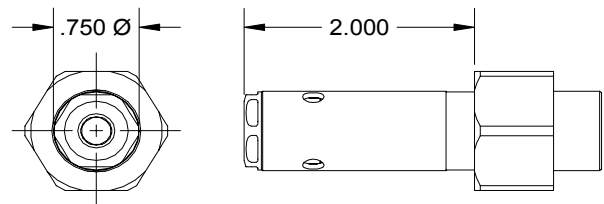
2) Included in GBP7520OK-1

3) Included in GBP7520OK-2

4) Included in GBP7520OKE



GBP752E



XX-722-20