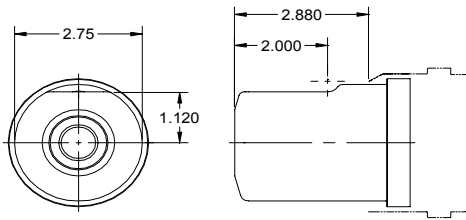
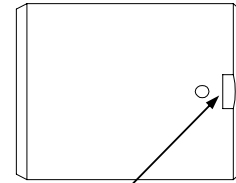
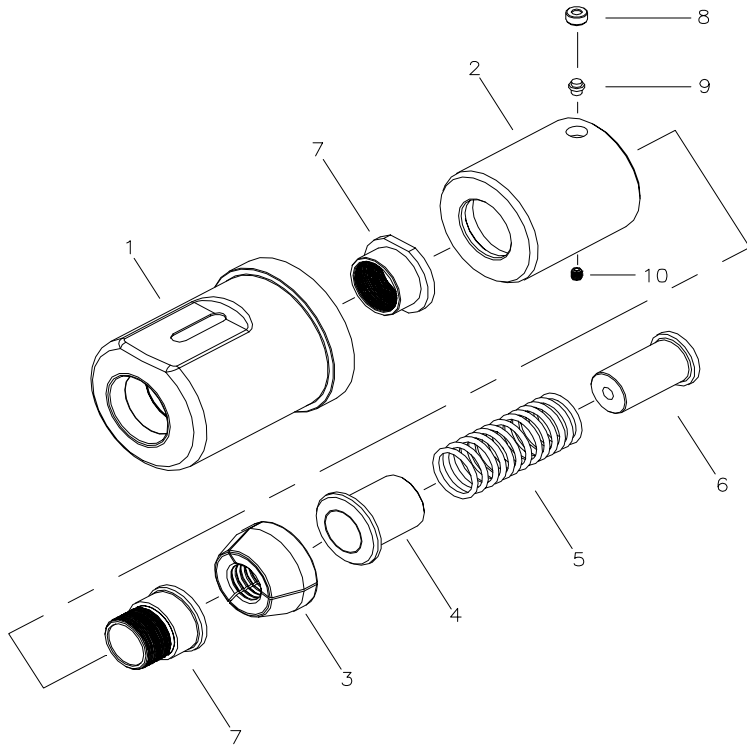


NOSE ASSEMBLY DATA SHEET



1. Ensure Piston is in full forward position.
2. Disconnect tool control cord.
3. Screw assembled Collet onto Piston until top of collet flat lines up with face of tool (see below).
4. If Collet Lock (9) is not in Piston groove, continue to turn 1/4 turn, or less until lock engages groove.
5. Tighten Set Screw (10).
6. Slide Anvil (1) over assembled Collet. Install Split Ring, Sleeve and Retaining Ring (furnished with tool) .



(See instructions above)
Screw assembled Collet onto Piston until top of collet flat lines up with face of tool (then follow steps 4-6 above) .



7/09

GAGE BILT
MADE IN U.S.A.

GAGE BILT PRODUCTS CORP.

44766 Centre Court (586) 226-1500
Clinton Twp. MI 48038 (586) 226-1505 Fax
e-mail:solutions@gagebilt.com / www.gagebilt.com

Type:		Fasteners:		Recommended Tool: GBP2630
Self-Releasing		Lockbolt 7/8" Diameter		
Ref. No.	Qty.	Description	28-2630-28	
1	1	Anvil Insert	12801	
2	1	Collet (Inc. ref. # 2,7,8,9 & 10)	22801	
3	1	Jaw Set	32801	
4	1	Follower	42802	
5	13	O'ring	400815	
6	1	Sleeve	62801	
7	1	Release & Ejector	82800	
8	1	Retainer - Collet	54505	
9	1	Pin - Collet Lock	54503	
10	1	Set Screw	A-280	