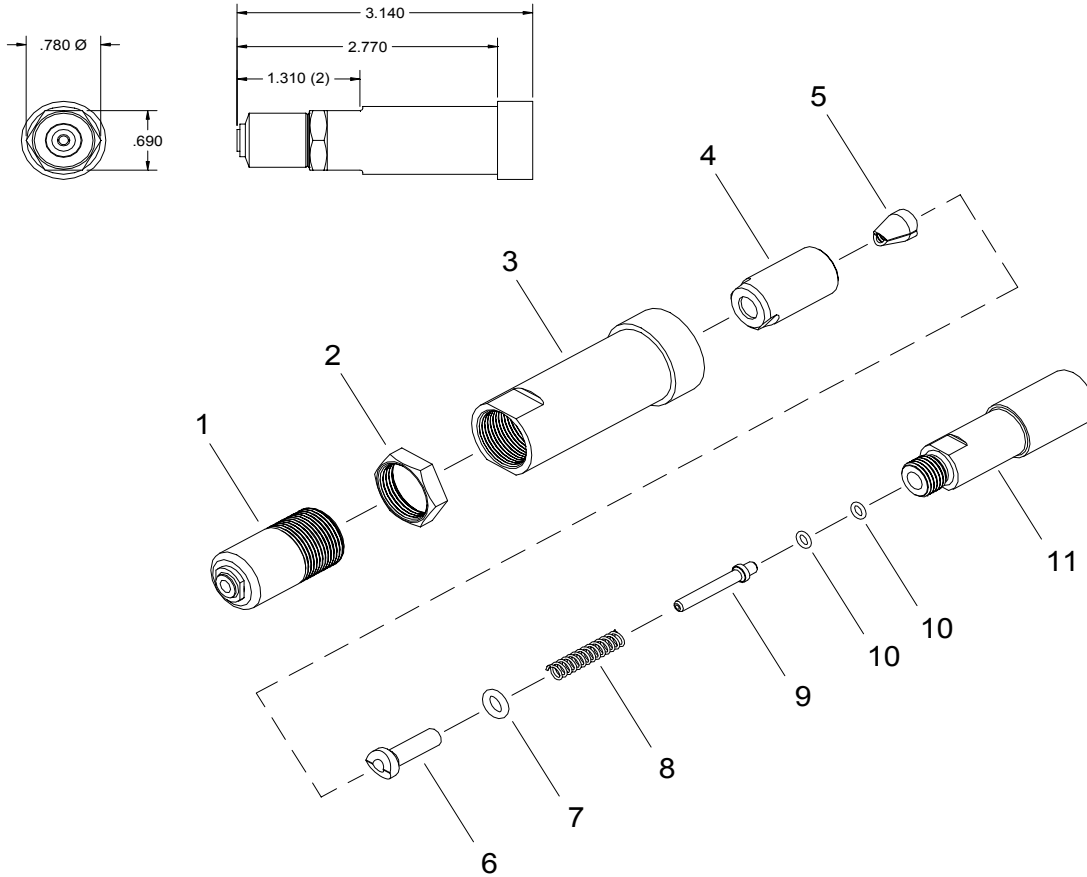


NOSE ASSEMBLY DATA SHEET



Rev. 1/07

*GBP700
 1/8" Ø steel maximum
 3/16" Ø aluminum maximum

GAGE BILT
 MADE IN U.S.A.

GAGE BILT PRODUCTS CORP.

14500 Barber Drive
 Warren, Mi 48088
 e-mail:solutions@gagebilt.com / www.gagebilt.com

(586) 771-7664
 (586) 771-2665 Fax

Type:		Fasteners: Single Action Blind Rivet NAS1919U & NAS1921U NAS9301-NAS9312 M7885 BACR15FP/FR & BACR15GF/GK	Recommended Tool: GBP784A
Self-Releasing Front Ejecting 1/8", 5/32" & 3/16" Ø			Alternate Tool: *GBP700
Ref. No.	Qty.	Description	456MAX-680-31
1	1	Sleeve	10420
2	1	Jam Nut	70411
3	1	Sleeve Adapter	40505
4	1	Collet	20513
5	1	Jaw Set	30513
6	1	Follower	40506
7	1	O'Ring	400774
8	1	Spring	50505
9	1	Stem Stop	70408
10	2	O'Ring	A-1034
11	1	Collet Adapter	70409