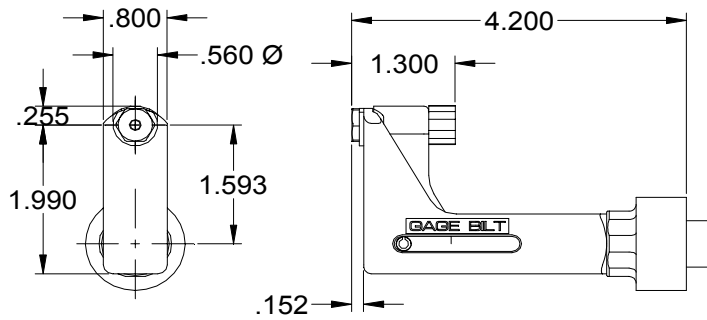
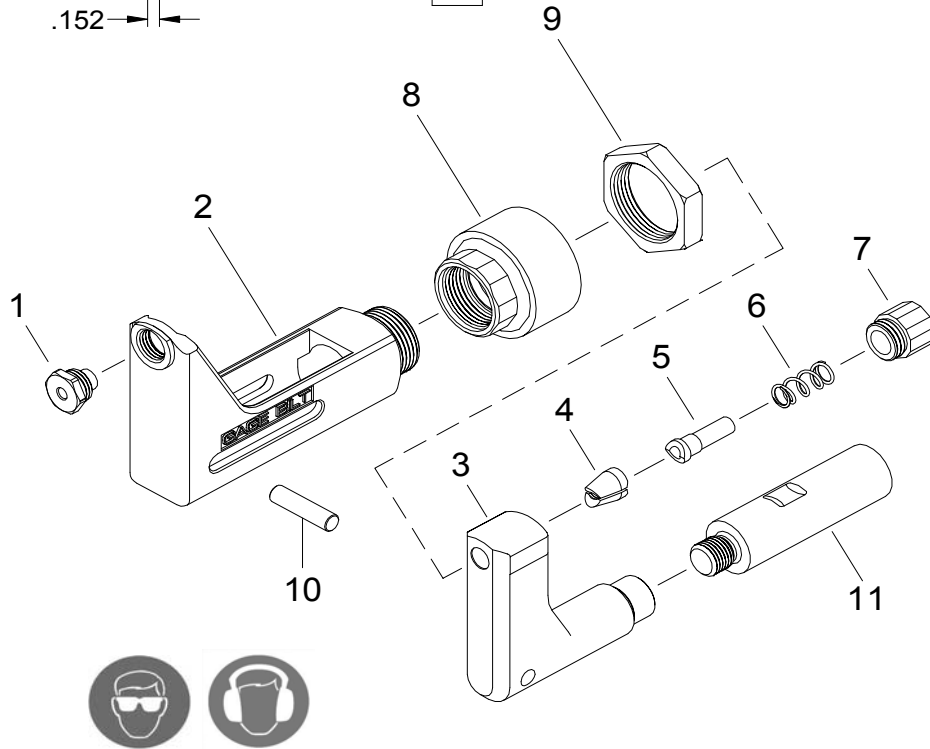


NOSE ASSEMBLY DATA SHEET



Attachment:

Screw nose assembly onto tool until it stops then back off until nose is in desired position. (Warning: do not back off nose assembly more than one complete turn). Lock jam nut (70336) against adapter (70331).



3/08

GAGE BILT
MADE IN U.S.A.

GAGE BILT PRODUCTS CORP.

14500 Barber Drive (586) 771-7664
Warren, Mi 48088 (586) 771-2665 Fax
e-mail: solutions@gagebilt.com / www.gagebilt.com

Type:		Fasteners:	Recommended Tool:
Non Self-Releasing 1/8", 5/32" & 3/16" Ø		NAS9301-NAS9312 M7885 BACR15FP/FR BACR15GF/GK & NAS1900U SERIES	GBP751C
			Alternate Tools: GBP752E, GBP722 & GBP2400B
Ref. No.	Qty.	Description	456MAX 752A-420S
1	1	Nose Tip	12276
2	1	Anvil Holder	13368
3	1	Collet	20914
4	1	Jaw Set	30311-1
5	1	Follower	40304-2
6	1	Spring	50418
7	1	Cap	60429
8	1	Anvil Adapter	70331
9	1	Jam Nut	70336
10	1	Pin	70468
11	1	Collet Adapter	70332