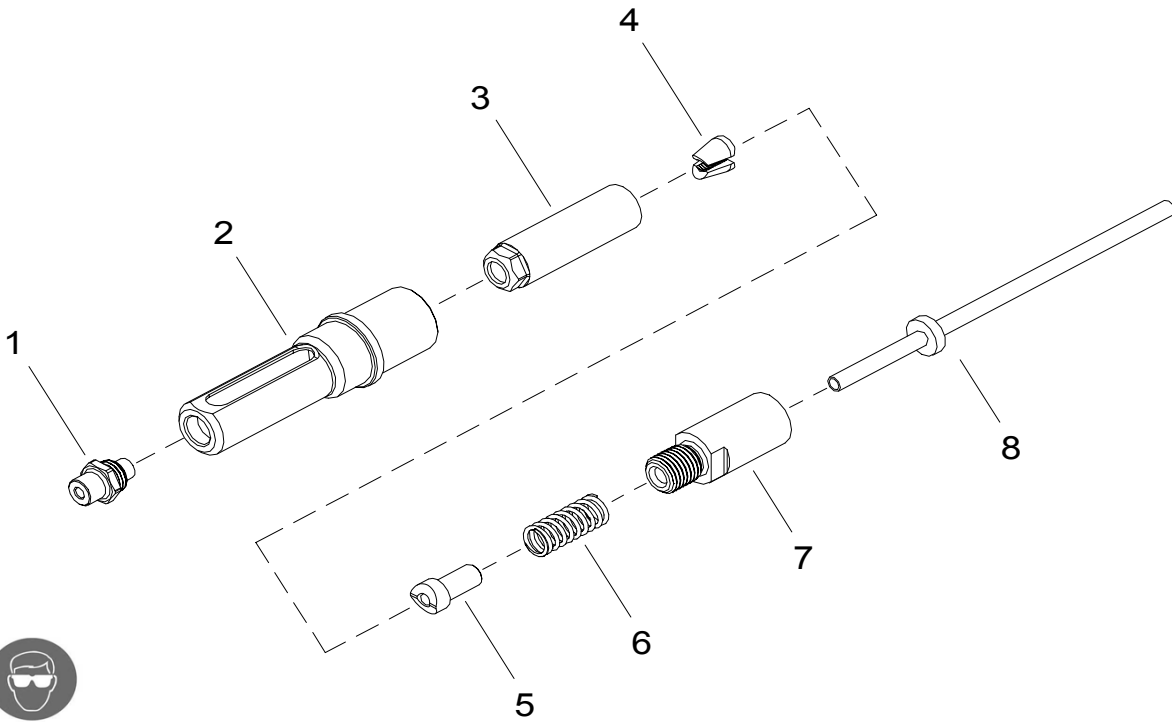
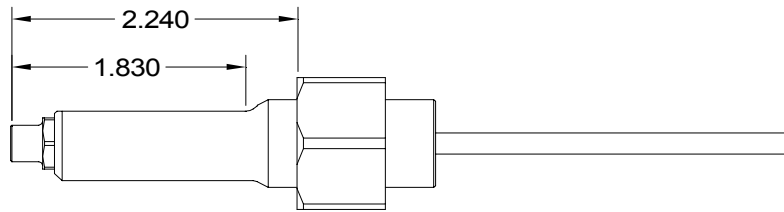
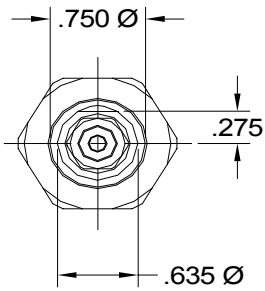


# NOSE ASSEMBLY DATA SHEET



8/02 Rev. 5/05

## GAGE BILT

### GAGE BILT Inc.

44766 Centre Court (586) 226-1500  
 Clinton Twp., MI 48038 (586) 226-1505 Fax  
 e-mail:solutions@gagebilt.com / www.gagebilt.com

Type:		Fastener:	Recommended Tool: GB751
Self-Releasing 1/8", 5/32" & 3/16" Ø		Commercial Nail Rivet	Alternate Tools: GB722 & GB2480
Ref. No.	Qty.	Anvil Holder	<b>456N-751-23</b>
1a	1	Nose Tip - 1/8"	10202
1b	1	Nose Tip - 5/32"	10203
1c	1	Nose Tip - 3/16"	10204
2	1	Anvil Holder	17796-2
3	1	Collet	20421
4	1	Jaw Set	30617
5	1	Follower	40442
6	1	Spring	50612
7	1	Collet Extension	70550-1
8	1	Pintail Tube Assembly	40443