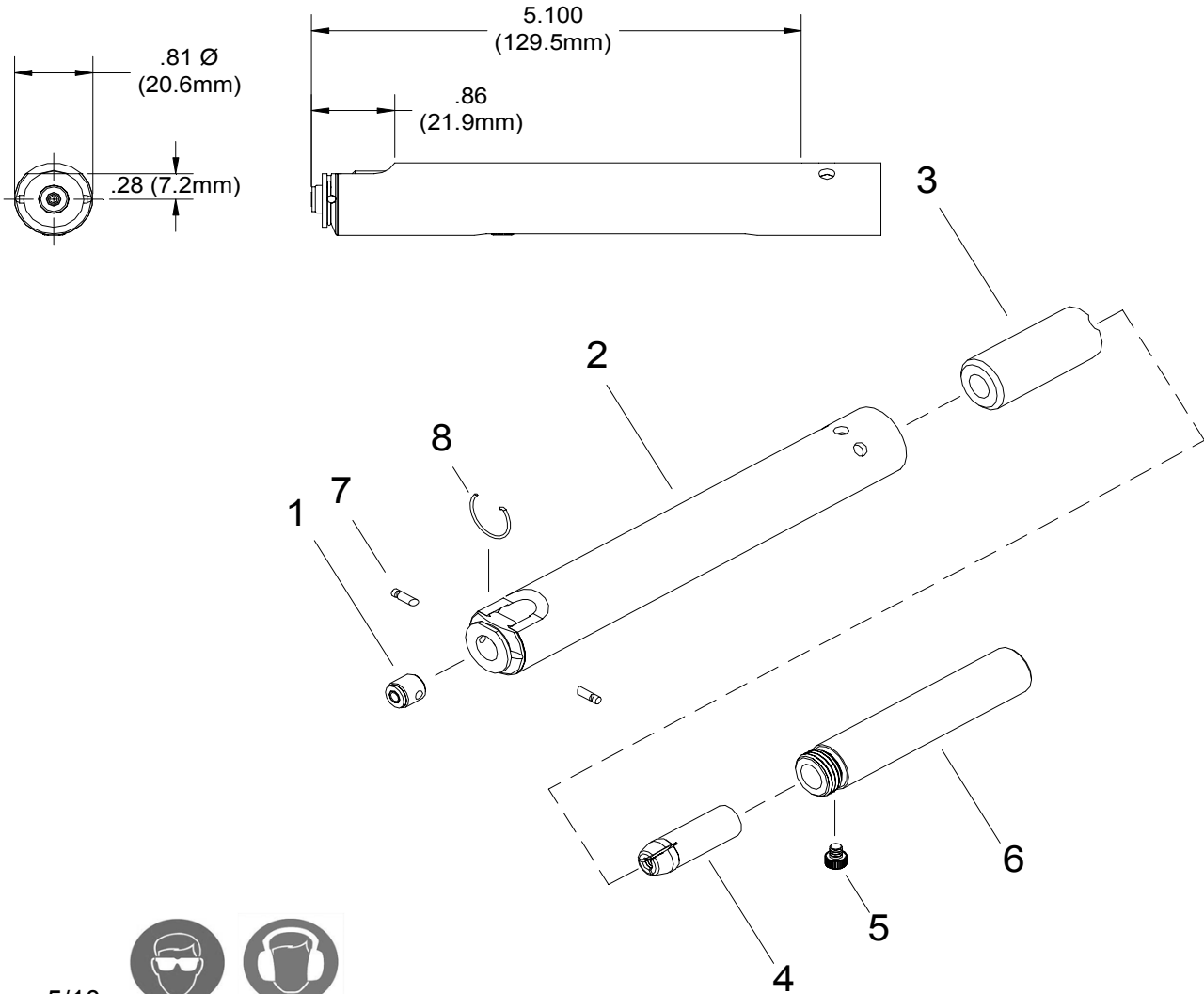


# NOSE ASSEMBLY DATA SHEET



5/10



**GAGE BILT**  
MADE IN U.S.A.

**GAGE BILT Inc.**

44766 Centre Court (586) 226-1500  
Clinton Twp. MI 48038 (586) 226-1505 Fax  
e-mail: solutions@gagebilt.com / www.gagebilt.com

Type:		Fastener:			Recommended Tool: <b>GB740</b>
Single Action 1/8 & 5/32 Ø		NAS1398A/1399A RV 1000/1100 & 1200			
Ref. No.	Qty.	Description	4A-740B-52	5A-740B-52	
1A	1	Anvil-Insert Universal	10304	10305	
2	1	Anvil Holder	10954	10954	
3	1	Collet	20330	20330	
4	1	Super Grip Jaw Assembly	30425-CS	30545-CS	
5	1	Screw	400046	400046	
6	1	Drawbolt	70316	70316	
7	2	Stem Stop	15503	15501	
8	1	Spring-Retaining	50302	50302	