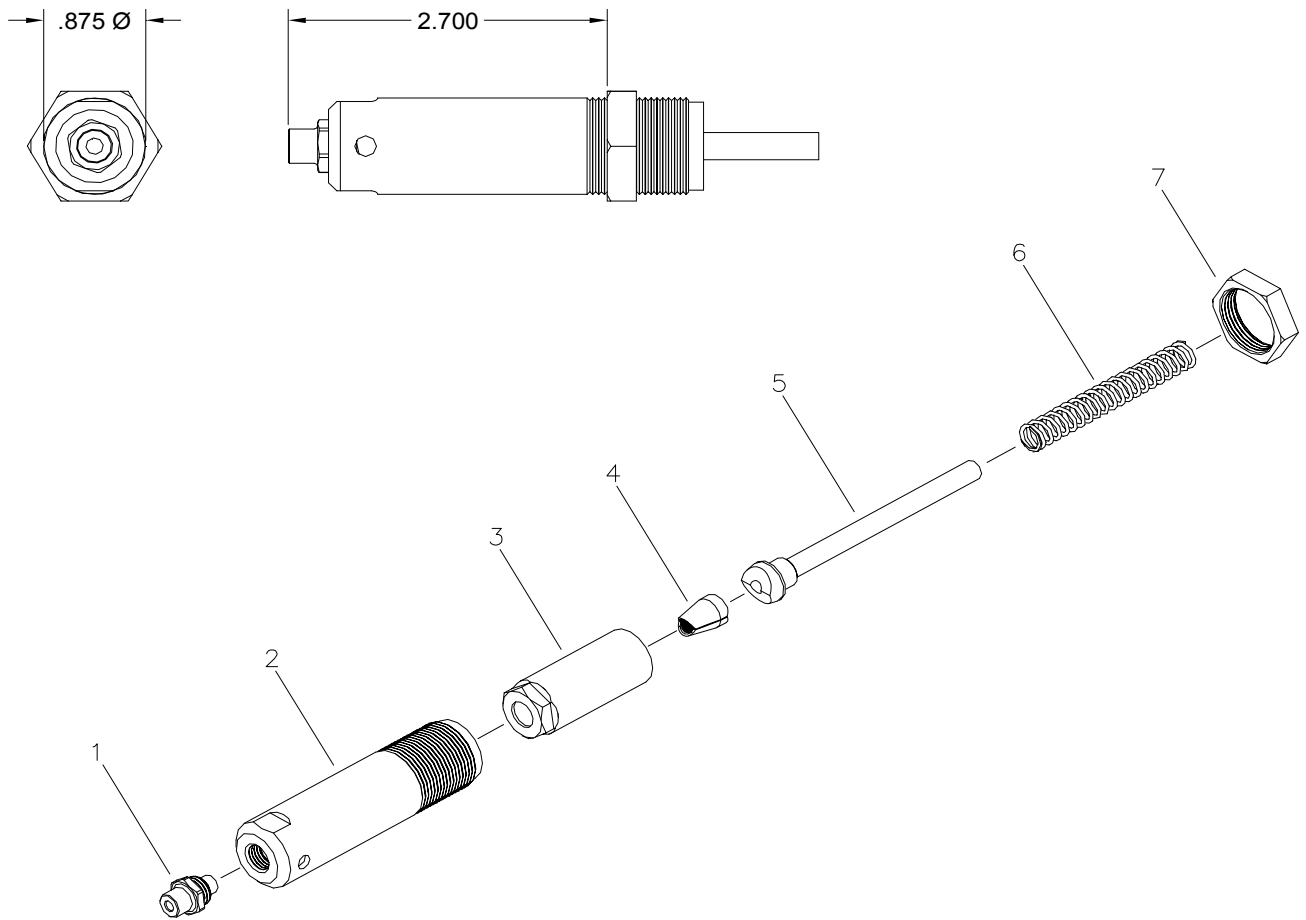


NOSE ASSEMBLY DATA SHEET



3/06

GAGE BILT
MADE IN U.S.A.

GAGE BILT PRODUCTS CORP.

14500 Barber Drive
Warren, Mi 48088

(586) 771-7664
(586) 771-2665 Fax

e-mail: solutions@gagebilt.com / www.gagebilt.com

Type:		Fasteners:		Recommended Tool:	
Self-Releasing 3/16" \varnothing		STAINLESS STEEL N, POP® & CLOSED END		GBP743C	
Ref. No.	Qty.	Description	5SS-743-24	6SS-743-24	
1	1	Nose Tip	10203	10204	
2	1	Anvil Holder	10951-2	10951-2	
3	1	Collet	20867	20867	
4	1	Jaw Set	30849	30849	
5	1	Follower	40871	40871	
6	1	Spring	405371	405371	
7	1	Jam Nut	70820	70820	