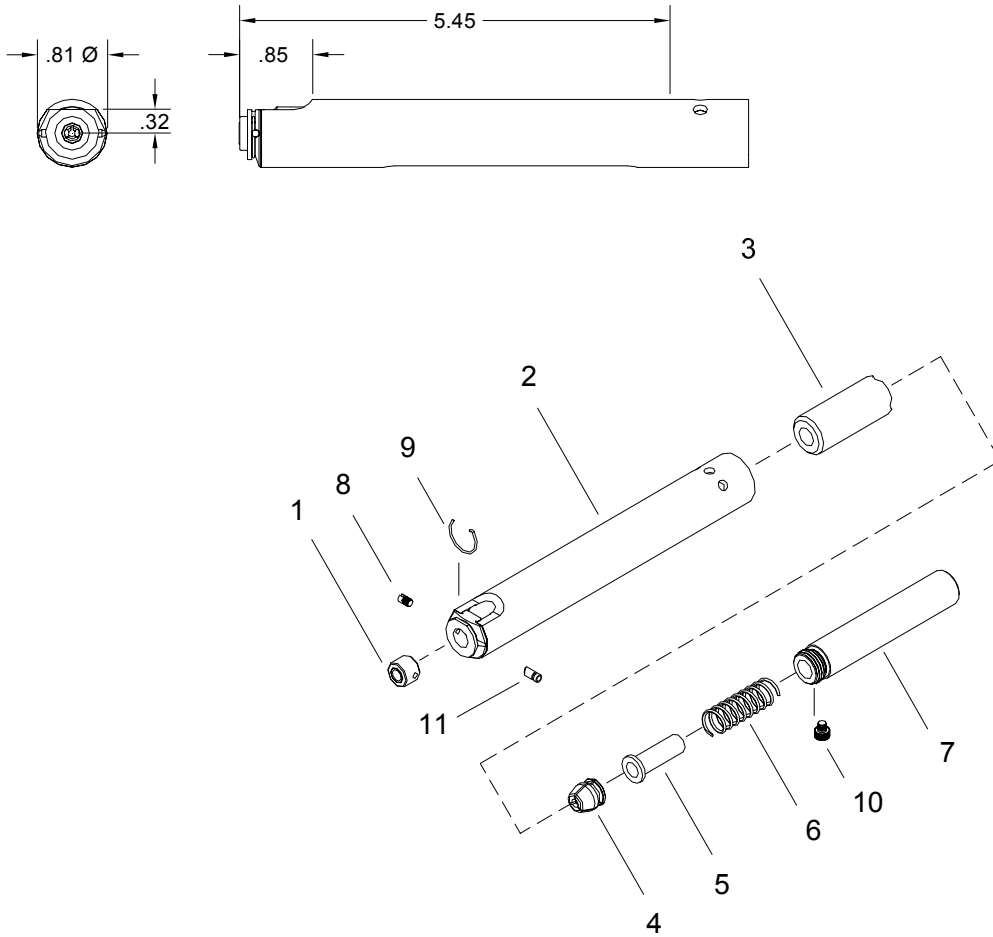


NOSE ASSEMBLY DATA SHEET



7/05

GAGE BILT

GAGE BILT PRODUCTS CORP.

14500 Barber Drive (586) 771-7664
 Warren, Mi 48088 (586) 771-2665 Fax
 e-mail:solutions@gagebilt.com / www.gagebilt.com

TYPE:	FASTENERS:	RECOMMENDED TOOL:
SINGLE ACTION 3/16" & 1/4" Ø	MS20600, CHERRY 9000 HUCK PT, SP & MS OLYMPIC RV200 & RV500	GBP740A

Ref. No.	Qty.	Description	6C (6U)-740A-52	8C (8U)-740A-52
1A	1	Anvil-Insert Universal	13385	13386
1B	1	Anvil Insert Countersunk	13387	13388
2	1	Anvil Holder	13351	13351
3	1	Collet	20324	20324
4	1	Chuck Jaws	30604	30822
5	1	Follower	40302	40302
6	1	Spring	50305	50305
7	1	Drawbolt	70316	70316
8	1	Screw	15509	15509
9	1	Spring-Retaining	50313	50313
10	1	Screw	400046	400046
11	1	Stem Stop	15519	15519