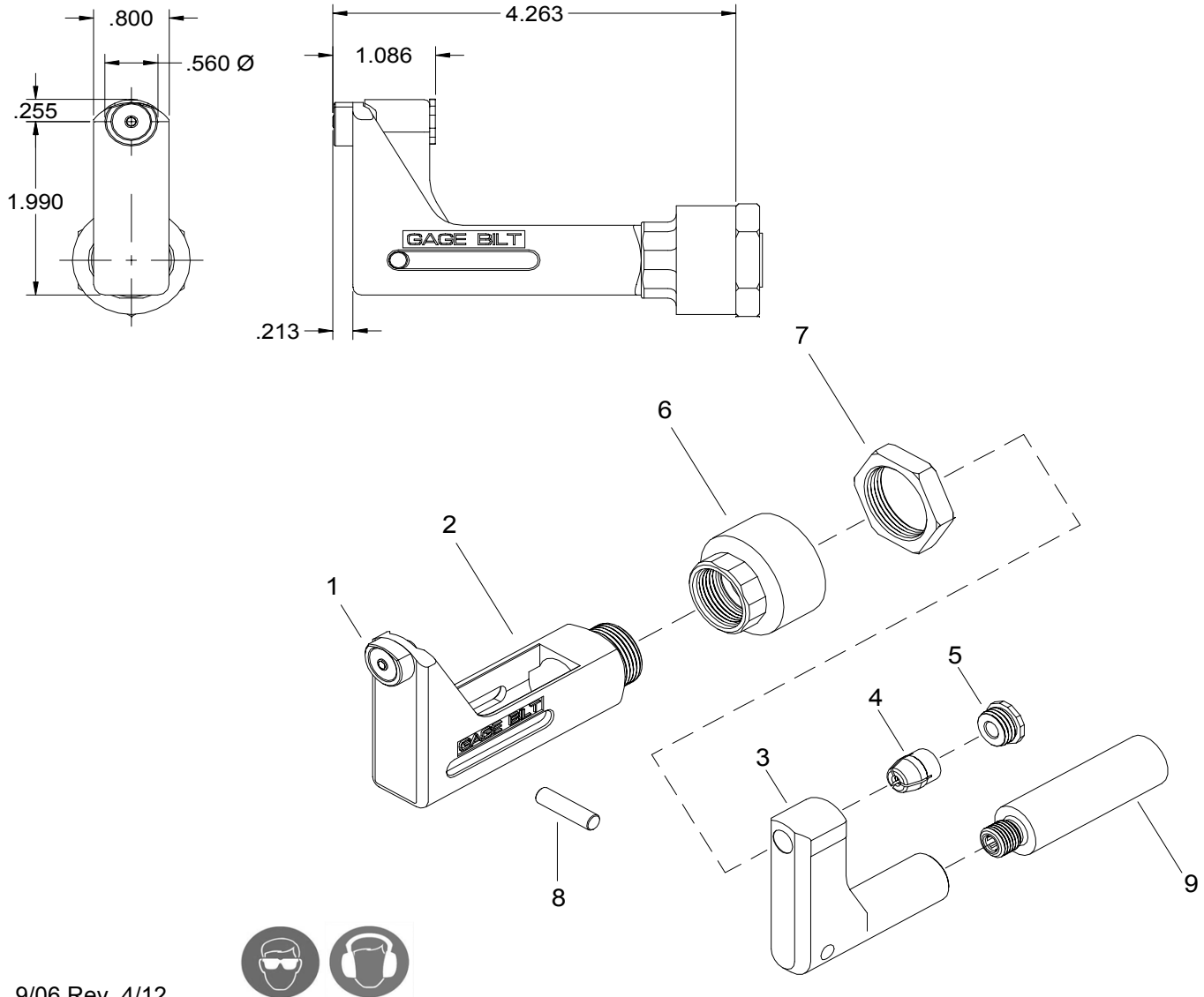


NOSE ASSEMBLY DATA SHEET



9/06 Rev. 4/12

GAGE BILT
MADE IN U.S.A.

GAGE BILT Inc.
44766 Centre Court (586) 226-1500
Clinton Twp. MI 48038 (586) 226-1505 Fax
e-mail:solutions@gagebilt.com / www.gagebilt.com

Type:		Fasteners:	Recommended Tool: GB751
Non Self-Releasing 3/16" Ø		KT Rivet Structural	
Ref. No.	Qty.	Description	6KT-751A-43OS
1	1	Nose Tip	16694
2	1	Anvil & Holder Assembly	12207
3	1	Collet	20911
4	1	Jaw Set	30545-S14
5	1	Cap	60428
6	1	Anvil Adapter	70331
7	1	Nut	70336
8	1	Pin	70468
9	1	Collet Adapter	70332