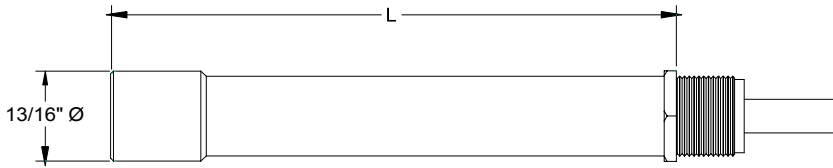
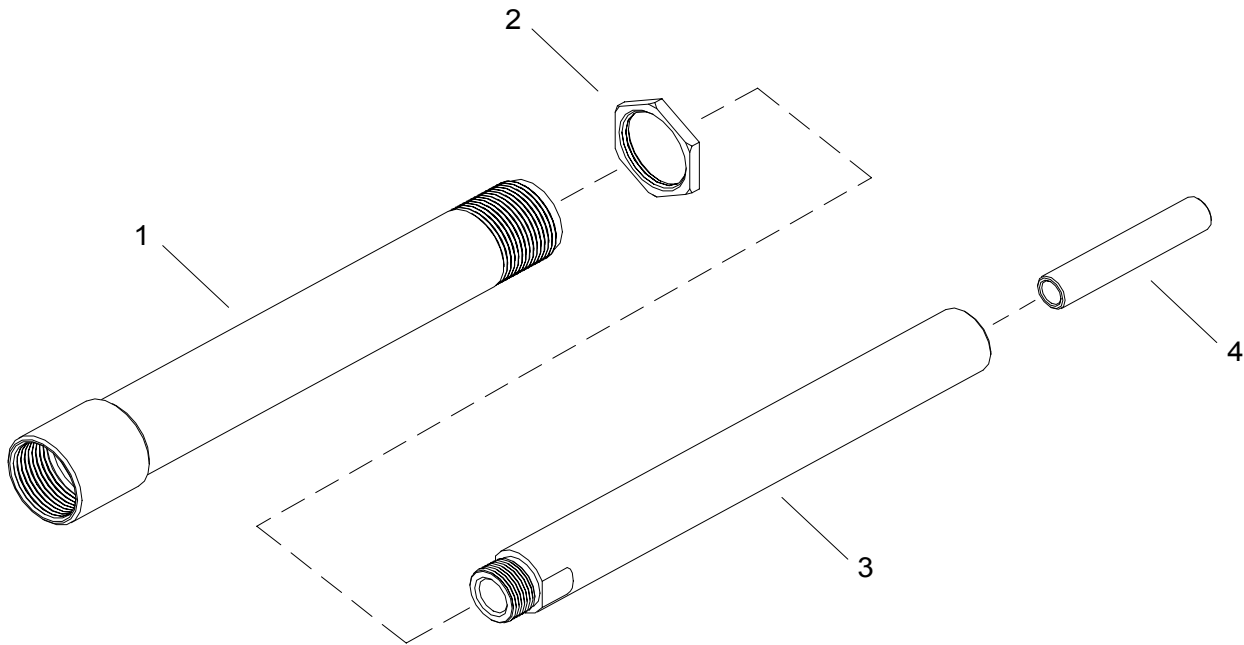


EXTENSION DATA SHEET



Part Number	L
703002	2"
703006	6"

These extensions help reach many restricted areas by increasing the overall length of the nose assembly. They fit directly on the GB703, GB724 & GB743 Installation Tools and will accept GB703, GB724 and GB743 style nose assemblies



INSTALLING ADAPTER ON INSTALLATION TOOL

1. Insert tube (4) into head piston
2. Screw drawbolt extension (3) onto end of head piston. Tighten securely using wrenches on flats provided
3. Thread sleeve extension (1) snugly into end of head cylinder. Tighten nut (2).
4. Attach nose assembly

12/99 Rev. 9/11

GAGE BILT

GAGE BILT Inc.

44766 Centre Court (586) 226-1500
 Clinton Twp. MI 48038 (586) 226-1505 Fax
 e-mail: solutions@gagebilt.com / www.gagebilt.com

Type:		Extends GB703 & GB743 style nose assemblies		
Extension				
Ref. No.	Qty.	Description	703002	703006
1	1	Sleeve Extension	703007	703009
2	1	Nut	70856	70856
3	1	Drawbolt Extension	703013	703015
4	1	Tube	703011	703011