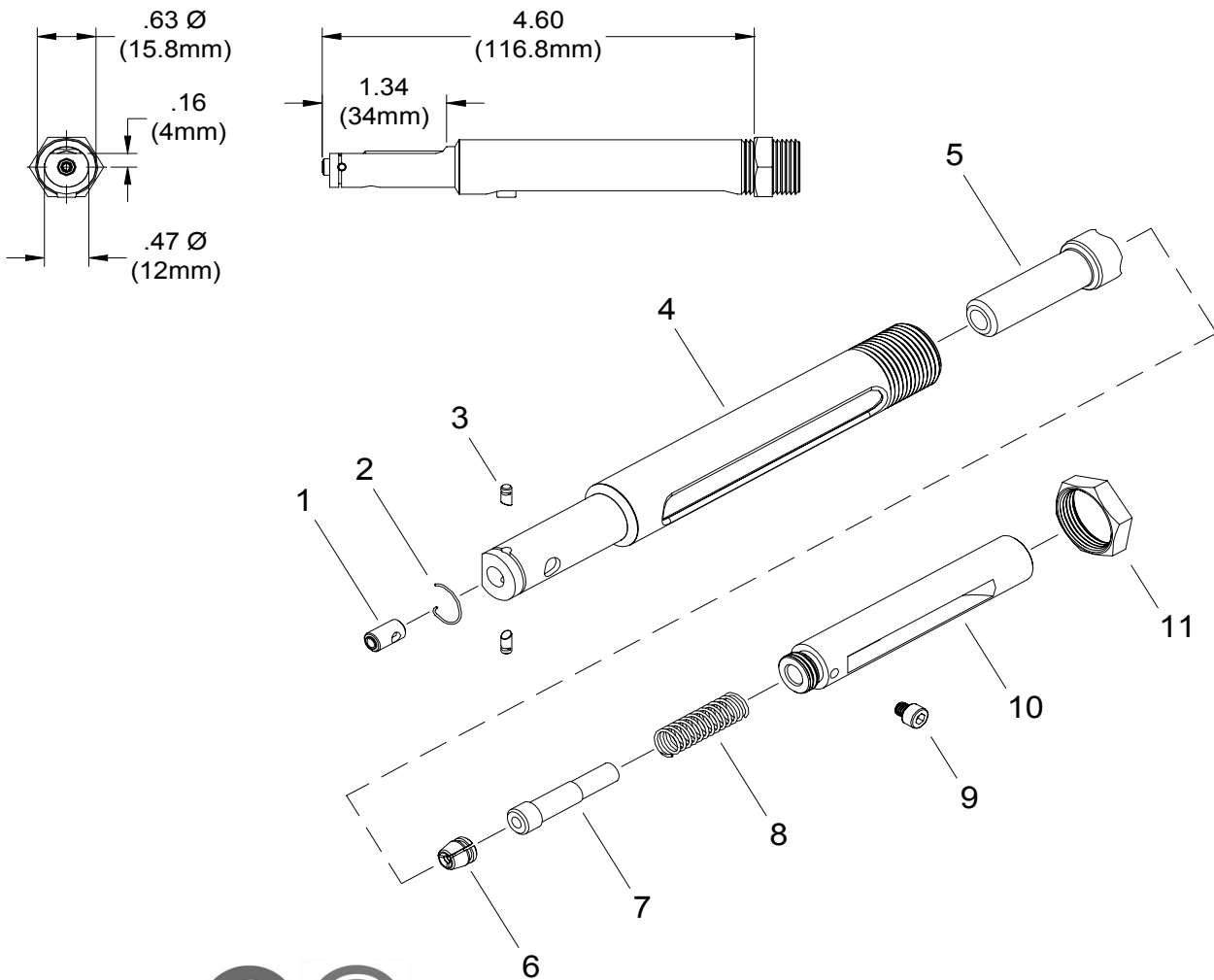


NOSE ASSEMBLY DATA SHEET



1/99 Rev. 8/11

GAGE BILT
MADE IN U.S.A.

GAGE BILT Inc.

44766 Centre Court (586) 226-1500
Clinton Twp. MI 48038 (586) 226-1505 Fax
e-mail:solutions@gagebilt.com / www.gagebilt.com

Type:
Single Action
Non Self-Releasing

3/32", 1/8" & 5/32" Ø

Fasteners:
NAS1398A/1399A
NAS1738A/1739A
RV1000/1100 & 12000

Recommended Tool:
GB715

Alternate Tools:
GB50 & GB51

Ref. No.	Qty.	Description	3A-51-46	4A-51-46	5A-51-46
1	1	Anvil Insert	10153	10154	13434
2	1	Spring-Ratchet Pin	50308	50308	50308
3	2	Ratchet Pin	15520	15521	15586
4	1	Anvil Holder	10318	10318	10318
5	1	Collet	20326	20326	20326
6	1	Chuck Jaws (Inc. 50318)	30308	30420	30547
7	1	Follower	40304	40304	40304
8	1	Spring	50307	50307	50307
9	1	Screw	70303	70303	70303
10	1	Drawbolt	70301	70301	70301
11	1	Locknut	70411	70411	70411