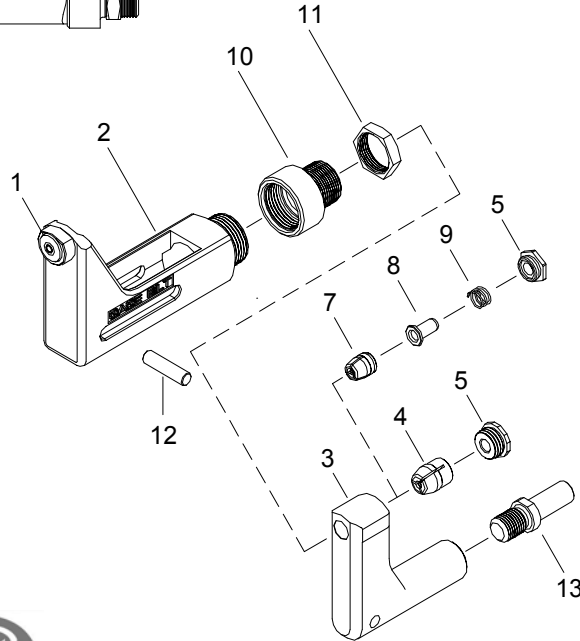
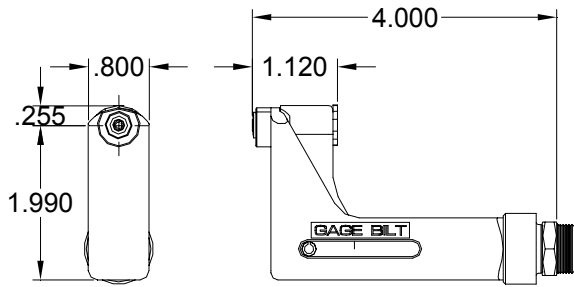


NOSE ASSEMBLY DATA SHEET



*GBP715C will pull 5/32 & 3/16 fasteners in aluminum only.

4/06 Rev.10/08

GAGE BILT
MADE IN U.S.A.

GAGE BILT Inc.

44766 Centre Court (586) 226-1500
Clinton Twp. MI 48038 (586) 226-1505 Fax
e-mail:solutions@gagebilt.com / www.gagebilt.com

Type:		Fasteners:		Recommended Tool:		
Non Self-Releasing 3/32", 1/8", 5/32" & 3/16" Ø		NAS1919A NAS1921A "A" CODE		GBP715C		
Ref. No.	Qty.	Description	3A-715-400S	4A-715-400S	*5A-715-400S	*6A-715-400S
1	1	Anvil Insert	10362	10427	10560	10657
2	1	Anvil & Holder Assembly (Inc. #1)	12216	12217	12218	12219
3	1	Collet	20914	20911	20911	20911
4	1	Super-Grip Jaw Assembly	----	30425-S2	30545-S4	30656-S3
5	1	Cap	60429	60428	60428	60428
6	1	Chuck Jaw Assembly (Inc. 7-9)	30301-F	----	----	----
7	1	Chuck Jaw	30301	----	----	----
8	1	Follower	40303	----	----	----
9	1	Spring	50418	----	----	----
10	1	Anvil Adapter	70334	70334	70334	70334
11	1	Jam Nut	70411	70411	70411	70411
12	1	Pin	70468	70468	70468	70468
13	1	Collet Adapter	70333	70333	70333	70333