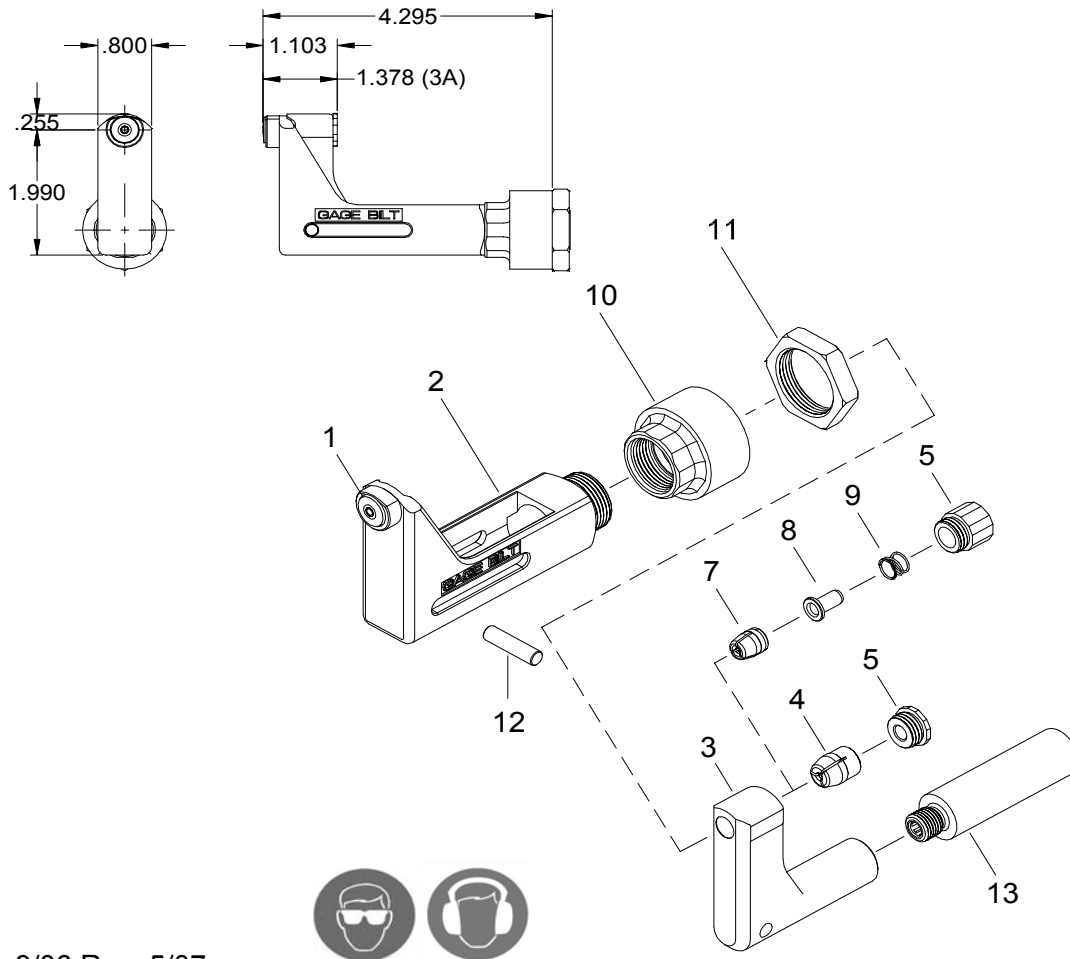


NOSE ASSEMBLY DATA SHEET



9/06 Rev. 5/07

GAGE BILT
MADE IN U.S.A.

GAGE BILT PRODUCTS CORP.

14500 Barber Drive
Warren, Mi 48088

(586) 771-7664

(586) 771-2665 Fax

e-mail:solutions@gagebilt.com / www.gagebilt.com

Type:		Fasteners:		Recommended Tool:		
Non Self-Releasing 3/32", 1/8", 5/32" & 3/16" Ø		NAS1919S NAS1921S		GBP751C		
				Alternate Tools: GBP713C		
Ref. No.	Qty.	Description	3A-752A-430S	4A-752A-430S	*5A-752A-430S	*6A-752A-430S
1	1	Anvil Insert	10362	10427	10560	10657
2	1	Anvil & Holder Assembly (Inc. #1)	12216	12217	12218	12219
3	1	Collet	20914	20911	20911	20911
4	1	Super-Grip Jaw Assembly	----	30425-S2	30545-S4	30656-S3
5	1	Cap	60429	60428	60428	60428
6	1	Chuck Jaw Assembly (Inc. 7-9)	30301-F	----	----	----
7	1	Chuck Jaw	30301	----	----	----
8	1	Follower	40303	----	----	----
9	1	Spring	50306	----	----	----
10	1	Anvil Adapter	70331	70331	70331	70331
11	1	Jam Nut	70336	70336	70336	70336
12	1	Pin	70468	70468	70468	70468
13	1	Collet Adapter	70332	70332	70332	70332