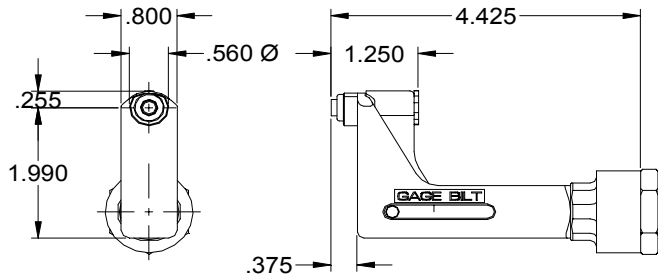
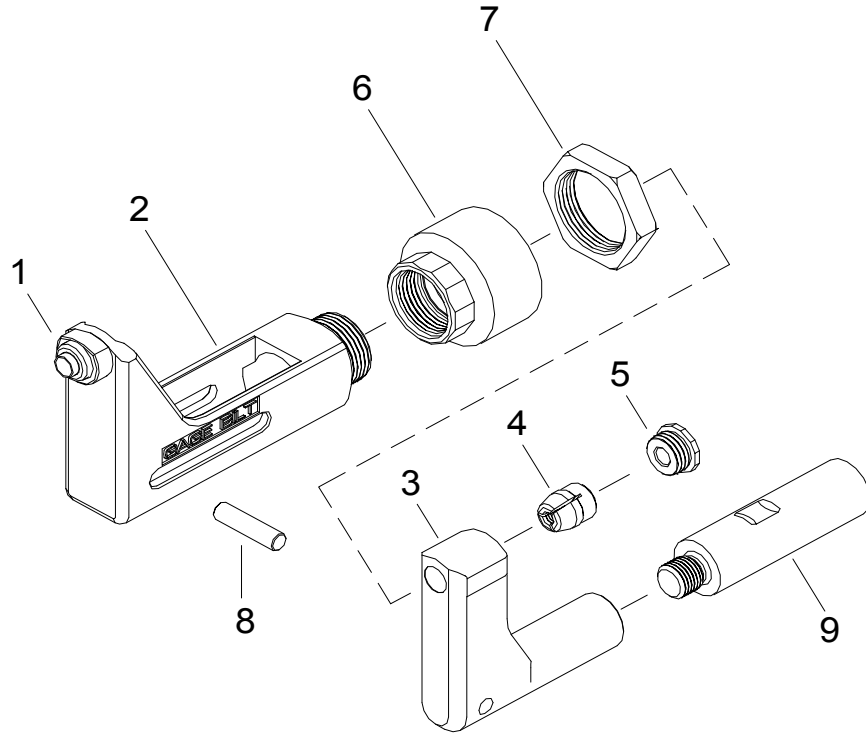


NOSE ASSEMBLY DATA SHEET



NOTE!
 Use with driver:
 ASP-06 for 13/64" dia.
 ASP-08 for 17/64" dia,



10/07

GAGE BILT
 MADE IN U.S.A.

GAGE BILT Inc.

44766 Centre Court (586) 226-1500
 Clinton Twp. MI 48038 (586) 226-1505 Fax
 e-mail:solutions@gagebilt.com / www.gagebilt.com

Type:		Fasteners:		Recommended Tool: GB752	
Non Self-Releasing 13/64" & 17/64" Ø		2 ASP®, ASP PF, ASP FF, ASP F & ASP LC		Alternate Tools: GB722 & GB731	
Ref. No.	Qty.	Description	ASP06-752A-43OS	ASP08-752A-43OS	
1	1	Nose Tip	10142	10143	
2	1	Anvil & Holder Assy	12280	12281	
3	1	Collet	20911	20911	
4	1	Jaw Set	30656-S3	30864-S5	
5	1	Cap	60428	60428	
6	1	Anvil Adapter	70331	70331	
7	1	Nut	70336	70336	
8	1	Pin	70468	70468	
9	1	Collet Adapter	70332	70332	