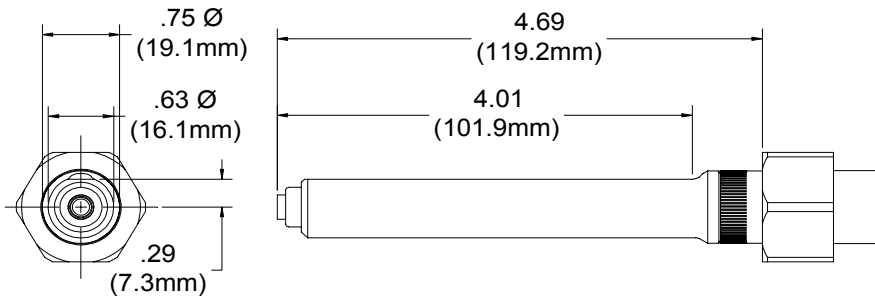
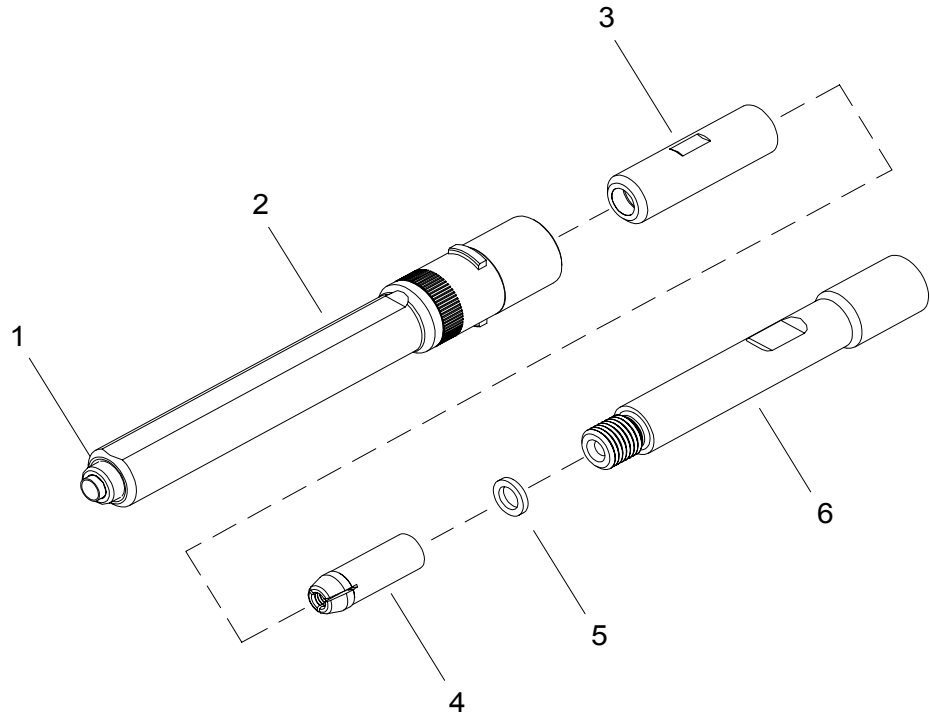


# NOSE ASSEMBLY DATA SHEET



Use Hex-Key in rear of piston for nose assembly attachment

Note!  
Use for driver:  
ASP-06 for 13/64" dia.  
ASP-08 for 17/64" dia.



\*GB752 for 17/64 Ø MAX.

\*\*Anvil Assembly includes 35208 retainer.

1/12 REV. 4/12

**GAGE BILT**  
MADE IN U.S.A.

**GAGE BILT Inc.**  
44766 Centre Court (586) 226-1500  
Clinton Twp., MI 48038 (586) 226-1505 Fax  
e-mail:solutions@gagebilt.com / www.gagebilt.com

Type:		Fastener:		Recommended Tool: GB752	
Non Self-Releasing 13/64" & 17/64" Ø		2 ASP®, ASP PF, ASP FF ASP F & ASP LC		Alternate Tools: GB713 & GB2480	
Ref. No.	Qty.	Description	ASP06-752C-45	ASP08-752C-45	
1	1	Cap Assembly	10142	10143	
2	1	Anvil & Holder Assy. (Inc.#1)	17771	17772	
3	1	Collet	20727	20727	
4	1	Super-Grip Jaw Assembly	30656-CS	30864-S14	
5	1	Spacer	70572	70572	
6	1	Collet Extension	70551	70551-1	