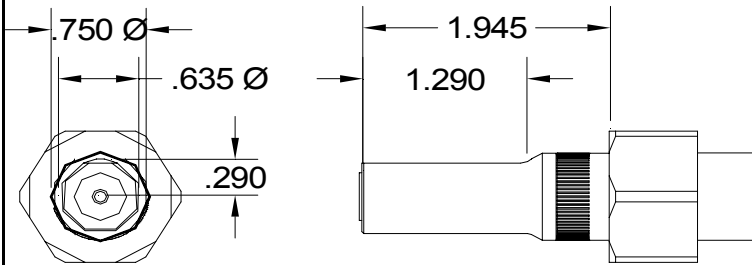


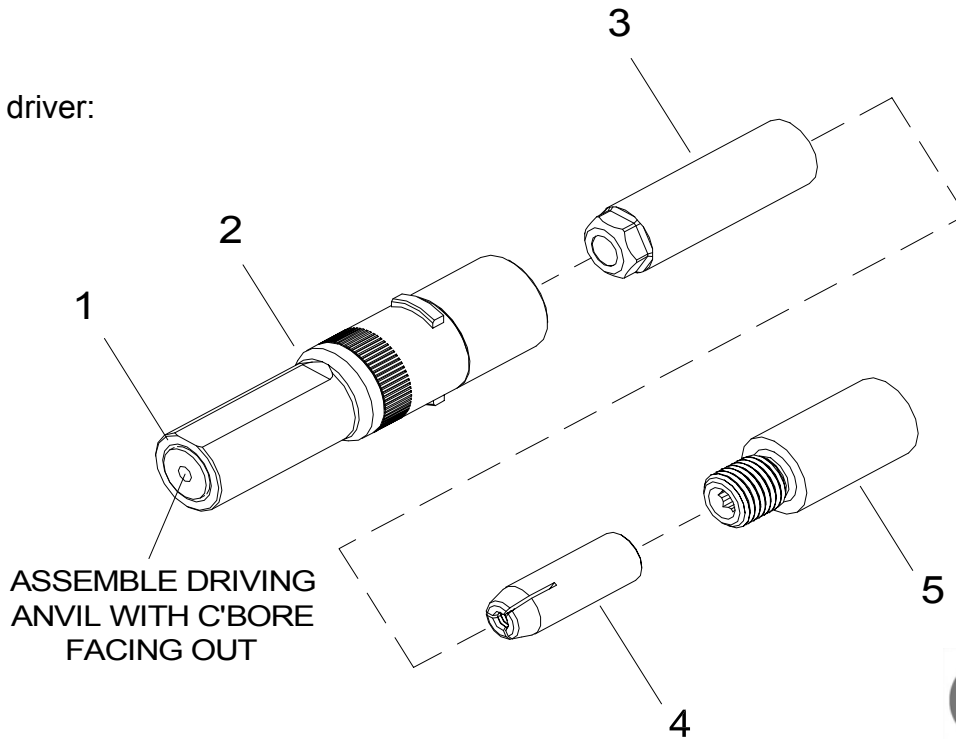
# NOSE ASSEMBLY DATA SHEET



Use Hex-Key in rear of piston for nose assembly attachment.

Use Hex-Key in rear of collet extension for collet disassembly.

**NOTE!**  
Use with driver:  
ASP-05



Rev. 6/05

## GAGE BILT

### GAGE BILT Inc.

44766 Centre Court (586) 226-1500  
Clinton Twp., MI 48038 (586) 226-1505 Fax  
e-mail: solutions@gagebilt.com / www.gagebilt.com

| Type:                       |      | Fastener:                                | Recommended Tool:                   |
|-----------------------------|------|--|-------------------------------------|
| Non Self-Releasing<br>ASP05 |      | 2 ASP®, ASP PF, ASP FF<br>ASP F & ASP LC | GB752                               |
|                             |      |  | Alternate Tools:<br>GB731 & GBP2480 |
| Ref. No.                    | Qty. | Description                              | ASP05-752B-20                       |
| 1                           | 1    | Driving Anvil                            | 15581                               |
| 2                           | 1    | Anvil & Holder Assembly                  | 13346                               |
| 3                           | 1    | Collet                                   | 20717                               |
| 4                           | 1    | Super-Grip Jaw Assembly                  | 30425-S                             |
| 5                           | 1    | Collet Extension                         | 70550                               |