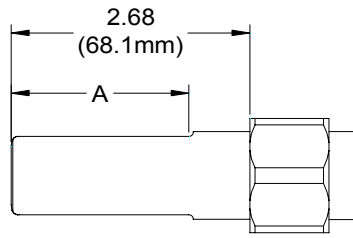
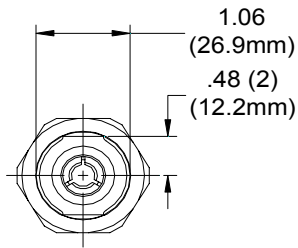
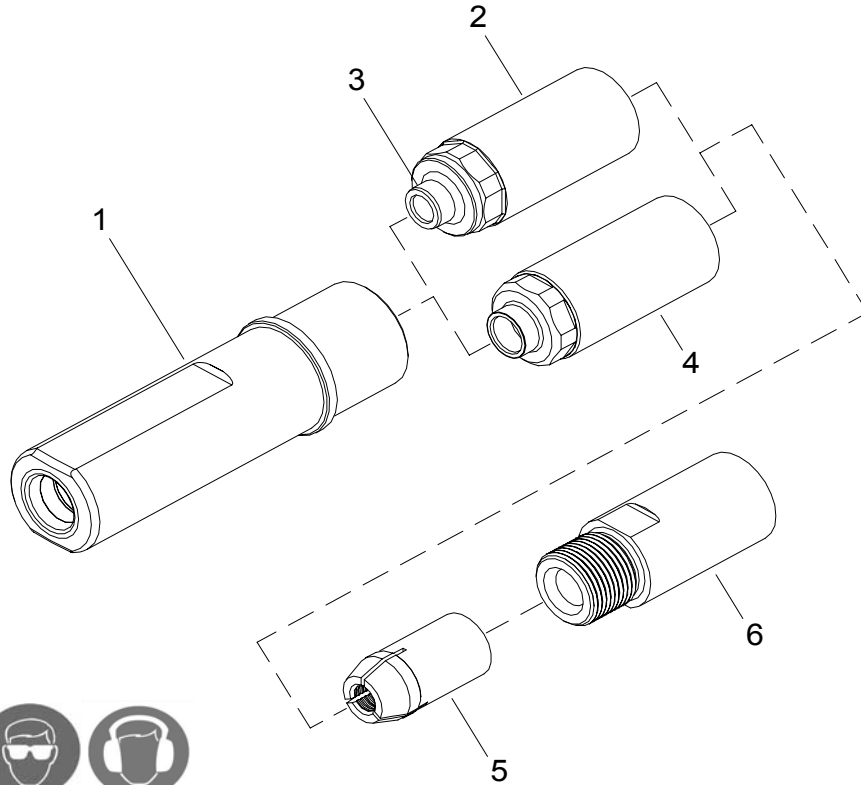


NOSE ASSEMBLY DATA SHEET



Use Hex-Key in rear of piston for nose assembly attachment.

A -10 = 1.120
-12 = 2.000



10/06

GAGE BILT
MADE IN U.S.A.

GAGE BILT PRODUCTS CORP.

14500 Barber Drive
Warren, Mi 48088

(586) 771-7664
(586) 771-2665 Fax

e-mail:solutions@gagebilt.com / www.gagebilt.com

| Type: | | Fastener: | | Recommended Tool: GBP4801B | |
|------------------------------------|------|-------------------------------|--------------|--------------------------------------|--|
| Non Self-Releasing 5/16 & 3/8 Ø | | BOM® | | Alternate Tools: GBP4804 | |
| Ref. No. | Qty. | Description | BOM10-756-26 | BOM12-756-26 | |
| 1 | 1 | Anvil | 11005 | 11203 | |
| 2 | 1 | Collet Assembly (Includes #3) | 21024 | ----- | |
| 3 | 1 | Ejector | 81009-1 | ----- | |
| 4 | 1 | Collet | ----- | 21225 | |
| 5 | 1 | Jaw Set | 30869-S1 | 31028-CS | |
| 6 | 1 | Collet Extension | 71219 | 71219 | |