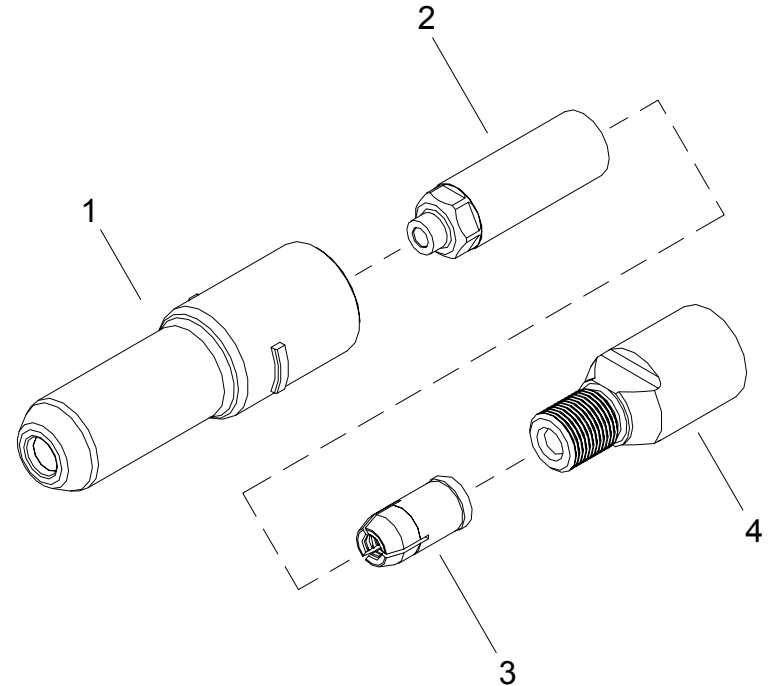
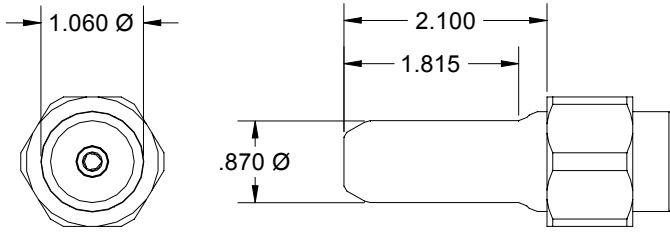


NOSE ASSEMBLY DATA SHEET



5/03

GAGE BILT

GAGE BILT PRODUCTS CORP.

14500 Barber Drive (586) 771-7664
Warren, MI 48088 (586) 771-2665 Fax

e-mail: solutions@gagebilt.com / www.gagebilt.com

Type:		Fastener:		Recommended Tool: GBP745C Alternate Tools: GBP4801	
Non-Self-Releasing		BOM-R08			
Ref. No.	Qty.	Description	BOM08-745C-23	BOM08-745C-23-1	
1	1	Anvil	10805	10806	
2	1	Collet	20825-1	20825-1	
3	1	Super-Grip Jaw Assembly	30653-S	30653-S	
4	1	Extension	70832	70832	