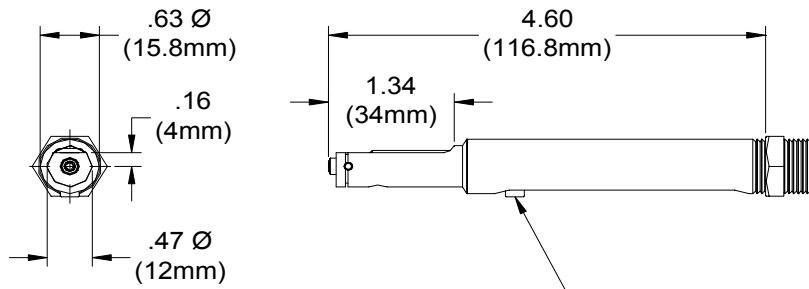
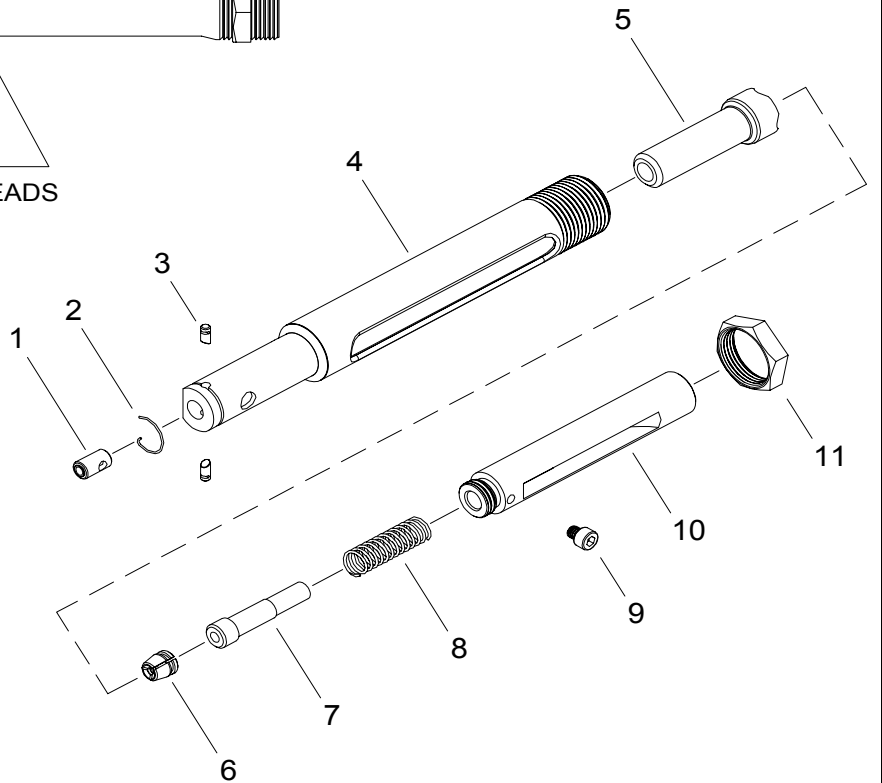


# NOSE ASSEMBLY DATA SHEET



TO ATTACH TO TOOL PULL SCREW (9)  
FULL FORWARD WHILE ENGAGING THREADS



3/92 REV. 3/12

## GAGE BILT

### GAGE BILT Inc.

44766 Centre Court (586) 226-1500  
Clinton Twp., MI 48038 (586) 226-1505 Fax  
e-mail: solutions@gagebilt.com / www.gagebilt.com

Type:		Fastener:		Recommended Tool:	
SINGLE ACTION 3/32 & 1/8 Ø		MS20600, CHERRY® 9000 HUCK® PT, SP & MS OLYMPIC RV200 & RV500		GB715	
				Alternate Tools: GB50 & GB51	
Ref. No.	Qty.	Description	3C-51-46	4C-51-46	
1	1	Nose Tip	10333	10334	
2	1	Spring-Racket Pin	50308	50308	
3	2	Pin-Racket	15520	15521	
4	1	Anvil-Holder	10318	10318	
5	1	Collet	20326	20326	
6	1	Chuck Jaws (Includes 50318)	30308	30420	
7	1	Follower	40320	40453	
8	1	Spring	50307	50307	
9	1	Screw	70303	70303	
10	1	Drawbolt	70301	70301	
11	1	Locknut	70411	70411	