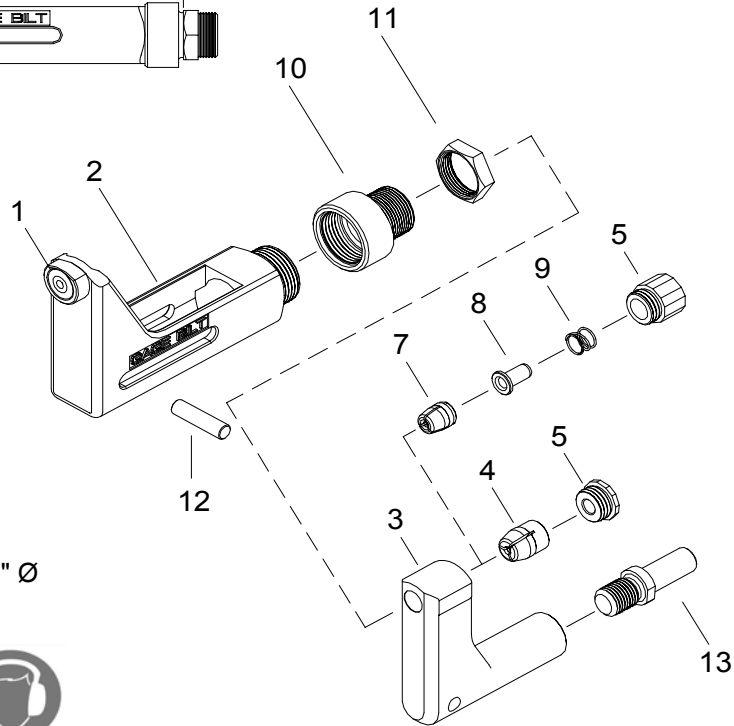
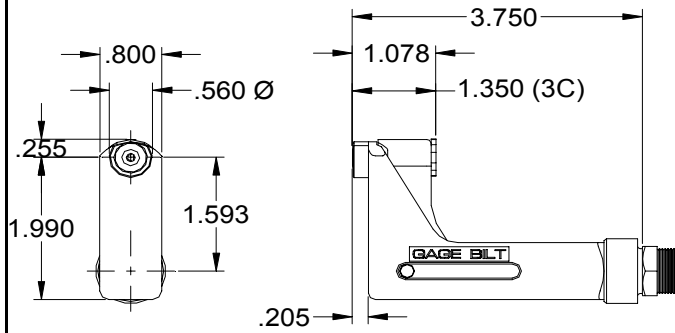


# NOSE ASSEMBLY DATA SHEET



\*GBP715C & GB51 for 5/32" & 3/16" Ø aluminum fasteners only.



3/07 Rev. 5/07

## GAGE BILT

### GAGE BILT PRODUCTS CORP.

14500 Barber Drive  
Warren, Mi 48088

(586) 771-7664

(586) 771-2665 Fax

e-mail: solutions@gagebilt.com / www.gagebilt.com

Type:		Fasteners:		Recommended Tool:		
Non Self-Releasing 3/32", 1/8", 5/32" & 3/16" Ø		MS20600, Cherry 9000 Huck PT, SP & MS RV200 & RV500		*GBP715C		
				Alternate Tools: *GB51		
Ref. No.	Qty.	Description	3C- 715-400S	4C- 715-400S	*5C- 715-400S	*6C- 715-400S
1	1	Anvil Insert	13395	10477	15584	16698
2	1	Anvil & Holder Assembly (Inc. #1)	13373	13370	13371	13372
3	1	Collet	20914	20911	20911	20911
4	1	Super-Grip Jaw Assembly	----	30425-S2	30545-S4	30656-S3
5	1	Cap	60429	60428	60428	60428
6	1	Chuck Jaw Assembly (Inc. 7-9)	30301-F	----	----	----
7	1	Chuck Jaw	30301	----	----	----
8	1	Follower	40303	----	----	----
9	1	Spring	50306	----	----	----
10	1	Anvil Adapter	70334	70334	70334	70334
11	1	Jam Nut	70411	70411	70411	70411
12	1	Pin	70468	70468	70468	70468
13	1	Collet Adapter	70333	70333	70333	70333