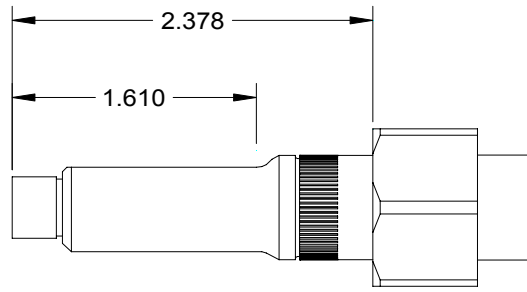
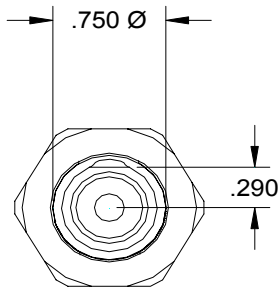
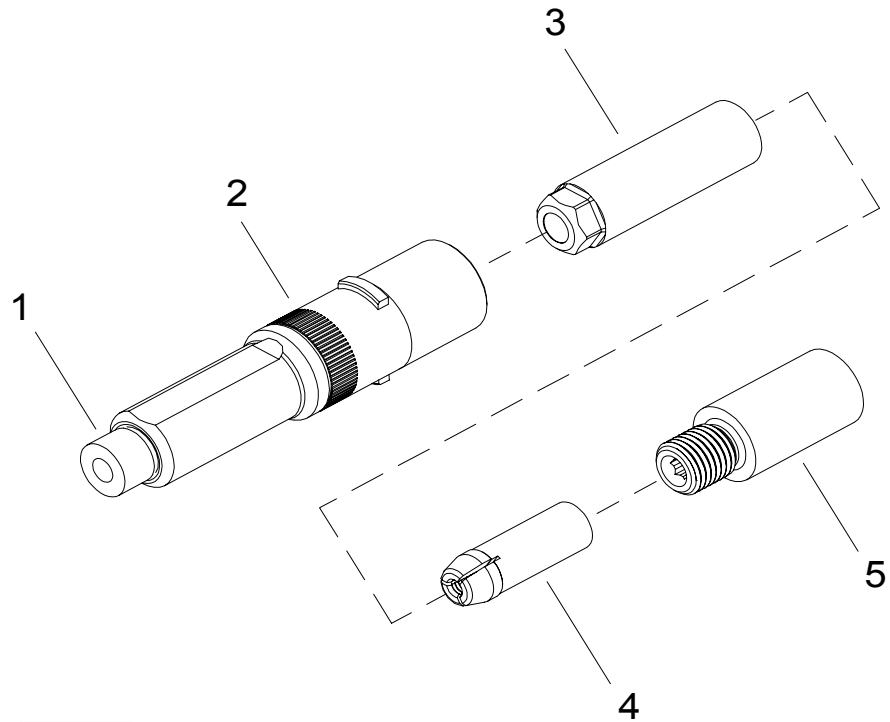


NOSE ASSEMBLY DATA SHEET



Use Hex-Key in rear of piston for Nose Assembly attachment.

Use Hex-Key in rear of collet extension for collet disassembly.



*Anvil Assembly consists of #1 and 35208 retainer.

3/02 REV. 3/11

GAGE BILT
MADE IN U.S.A.

GAGE BILT Inc.

44766 Centre Court (586) 226-1500
Clinton Twp. MI 48038 (586) 226-1505 Fax
e-mail:solutions@gagebilt.com / www.gagebilt.com

Type:		Fasteners:		Recommended Tool: GB751	
Non Self-Releasing 6-32, 8-32 & 10-32 Ø		GROUND STUD M83454 BACS53B1EA1/2		Alternate Tools: GB752 & GBP730D	
Ref. No.	Qty.	Description	GS6-752B-20	G8-752B-20	GS10-752B-20
1	1	Anvil-Driving	16677	18847	11049
2	1	Anvil & Holder Assembly (Inc#1)	17784	17785	17786
3	1	Collet	20717	20717	20717
4	1	Super-Grip Jaw Assembly	30425-S	30545-S	30656-S
5	1	Collet Extension	70550	70550	70550