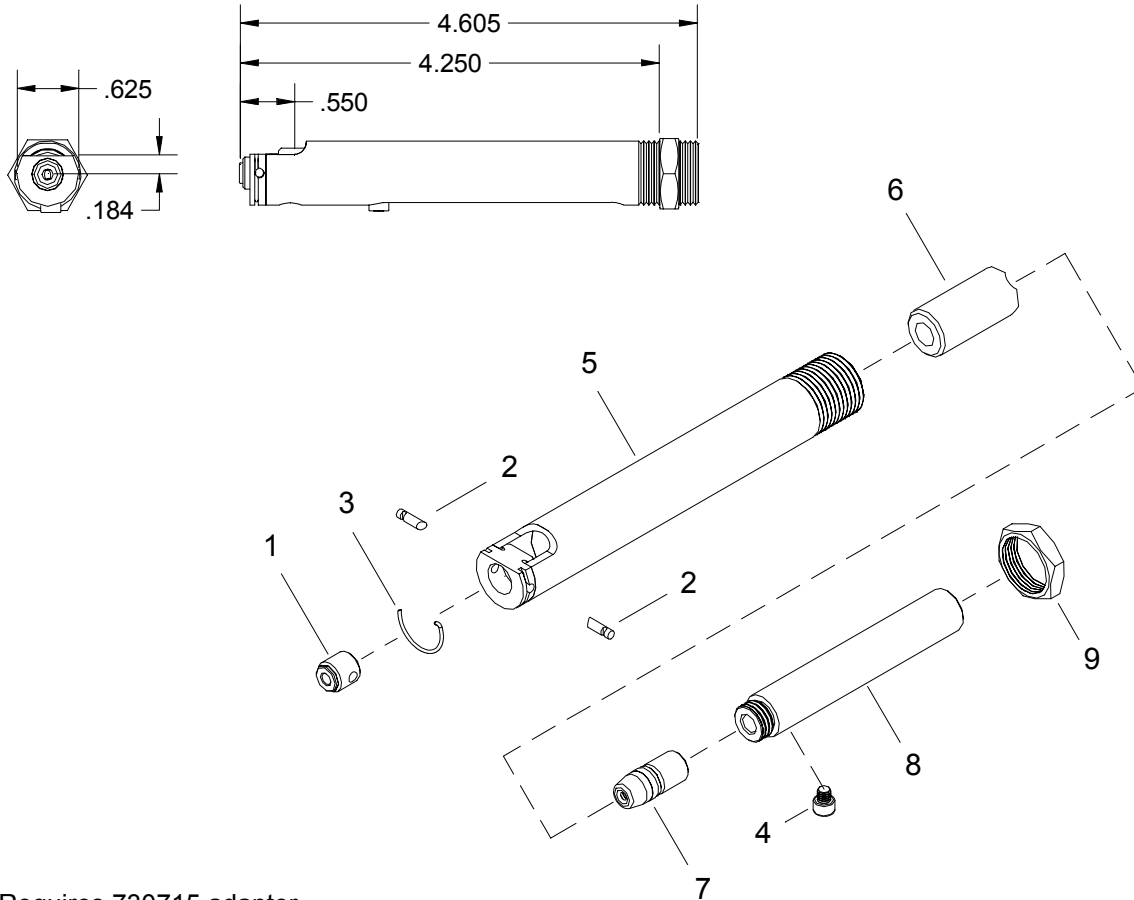


NOSE ASSEMBLY DATA SHEET



- 1. Requires 730715 adapter.
 - 2. Requires 704001 adapter.
- Covered Under Patent No. 5,029,881

12/92 REV. 4/01

GAGE BILT

GAGE BILT PRODUCTS CORP.

14500 Barber Drive (586) 771-7664
 Warren, Mi 48088 (586) 771-2665 Fax
 e-mail: solutions@gagebilt.com / www.gagebilt.com

Type:	Fastener:	Recommended Tool:
Self-Releasing 10/32 I.D Ø	GROUNDING STUD M83454 BACS53B1EA1/2	₁ GBP752B Alternate Tools: ₂ GBP704B

Ref. No.	Qty.	Description	GS10-715A-43
1	1	Anvil-Insert	10381
2	2	Pin-Ratchet	15502
3	1	Spring-Ratchet	50302
4	1	Screw	70303
5	1	Housing	10301
6	1	Collet	20301
7	1	Maxi Jaw Assembly	30610-M
8	1	Drawbolt	70301
9	1	Locknut	70411