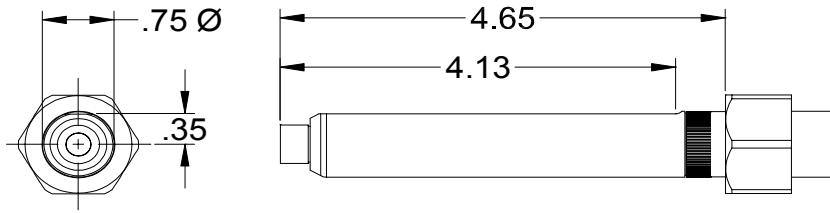
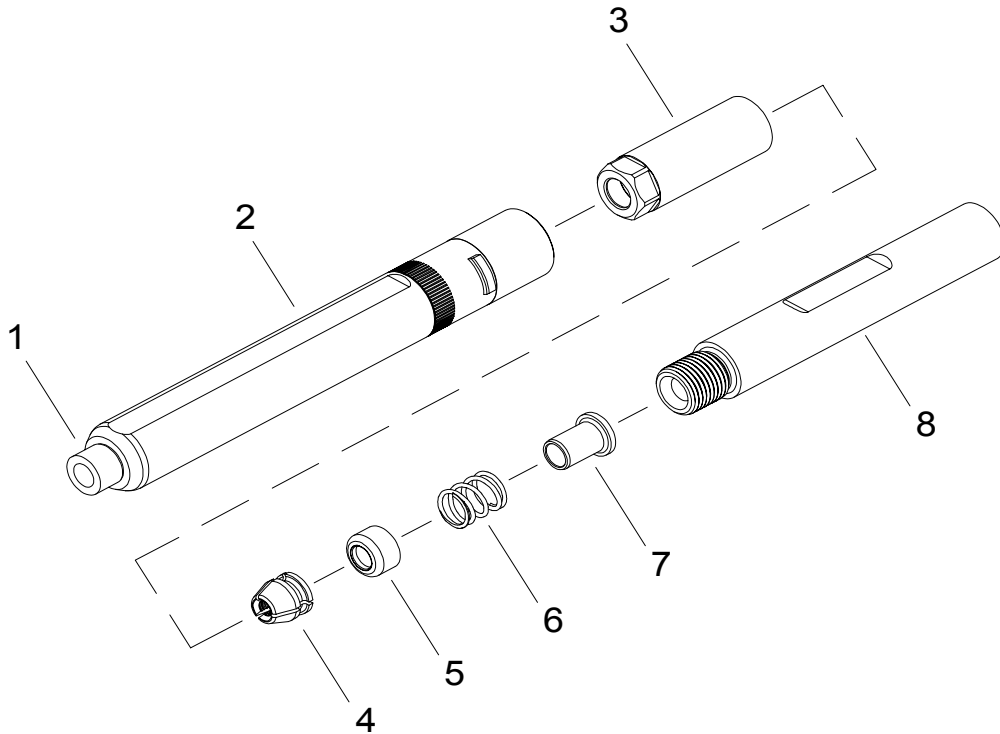


# NOSE ASSEMBLY DATA SHEET



Use Hex Key in rear of collet extension for collet disassembly.

Use Hex Key in rear of piston for nose assembly attachment.



8/04

## GAGE BILT

## GAGE BILT Inc.

44766 Centre Court (586) 226-1500  
 Clinton Twp., MI 48038 (586) 226-1505 Fax  
 e-mail:solutions@gagebilt.com / www.gagebilt.com

Type:		Fastener:	Recommended Tool:
Non Self-Releasing 1/4-28		Ground Stud	GB751
			Alternate Tools: GB752 & GB731
Ref. No.	Qty.	Description	<b>GS12-752-45</b>
1	1	Nose Tip	11253
2	1	Anvil & Holder Assembly	13336
3	1	Collet	20817
4	1	Jaw Set	30601
5	1	Follower	40883
6	1	Spring	50603
7	1	Cap	60827
8	1	Collet Extension	70834