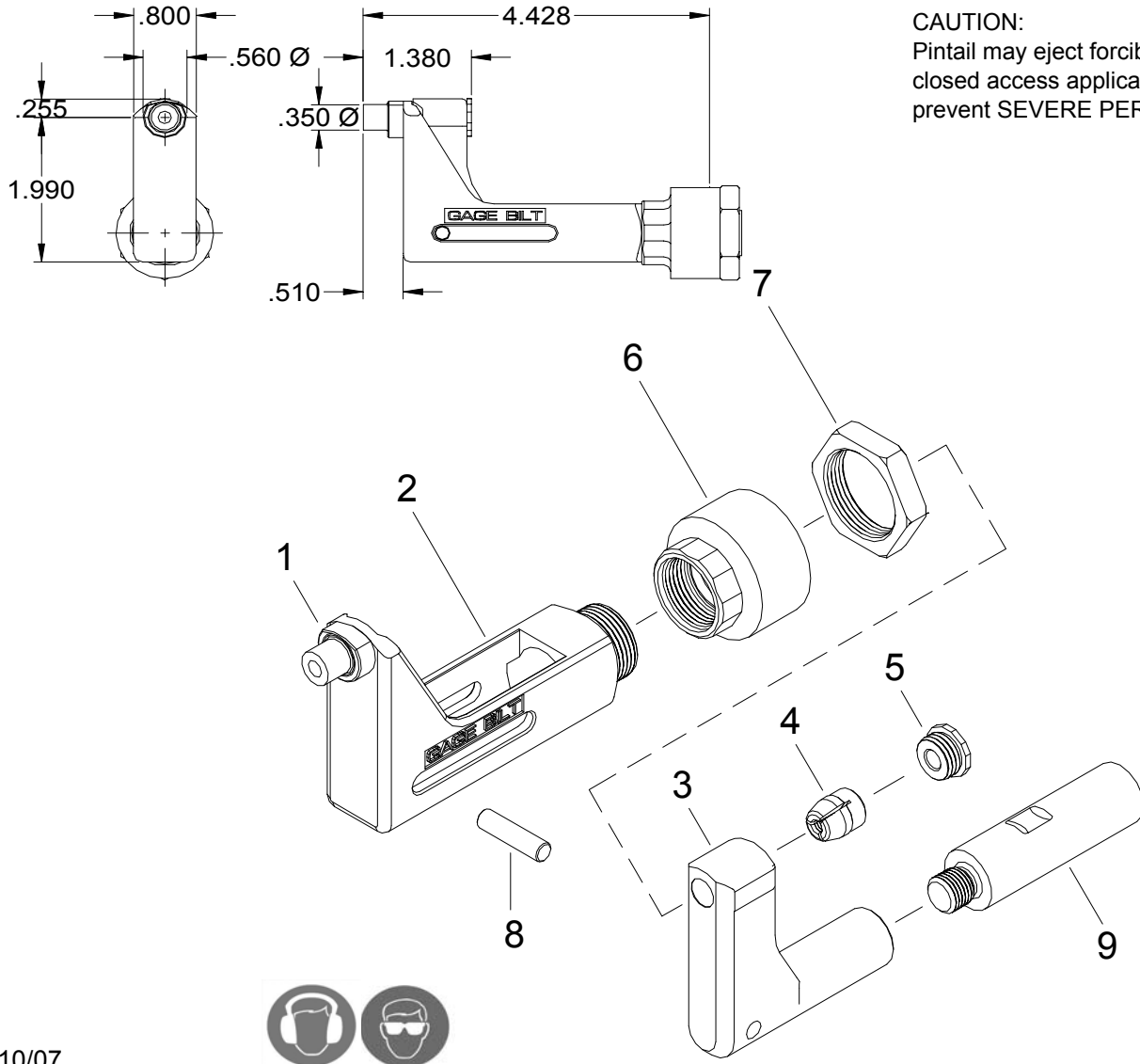


NOSE ASSEMBLY DATA SHEET

CAUTION:
Pintail may eject forcibly. Use for closed access applications only to prevent SEVERE PERSONAL INJURY!



10/07

GAGE BILT
MADE IN U.S.A.

GAGE BILT Inc.
44766 Centre Court (586) 226-1500
Clinton Twp. MI 48038 (586) 226-1505 Fax
e-mail:solutions@gagebilt.com / www.gagebilt.com

Type:		Fasteners:	Recommended Tool: GB751
Non Self-Releasing 8-32 Ø		Grounding Stud	
Ref. No.	Qty.	Description	GS-752A-430S
1	1	Anvil Insert	18847
2	1	Anvil Holder	13306
3	1	Collet	20911
4	1	Super-Grip Jaw Assembly	30545-S4
5	1	Cap	60428
6	1	Pin	70468
7	1	Anvil Adapter	70331
8	1	Nut	70336
9	1	Collet Adapter	70332