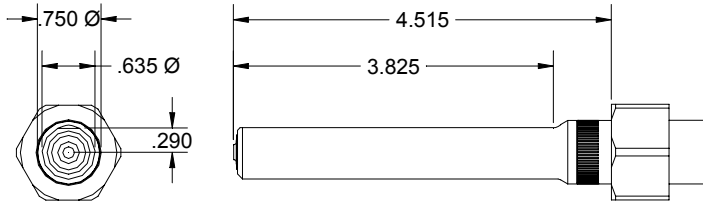
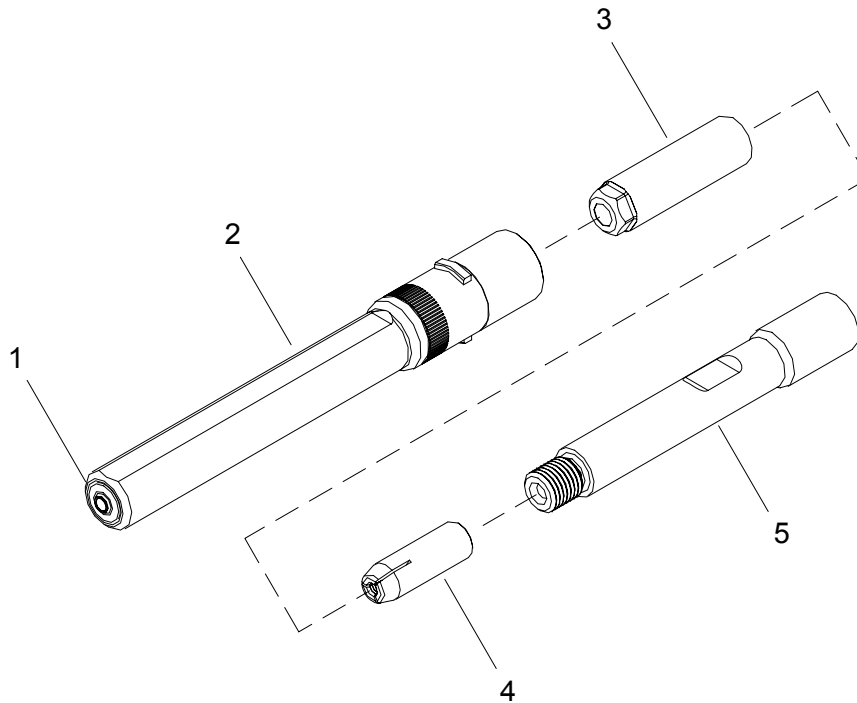


NOSE ASSEMBLY DATA SHEET



Use Hex-Key in rear of piston for nose assembly attachment.



12/03

*Anvil Assembly consists of #1 and 35208 retainer.

GAGE BILT

GAGE BILT PRODUCTS CORP.

44766 Centre Court (586) 226-1500
 Clinton Twp, Mi 48038 (586) 226-1505 Fax
 e-mail: solutions@gagebilt.com / www.gagebilt.com

| Type: | | Fastener: | | Recommended Tool: | |
|--|------|------------------------------------|---------------|--|---------------|
| Non Self-Releasing 1/8, 5/32 & 3/16 Ø | | NAS1719, NAS1720 NAS1721 MBC | | GBP751B | |
| | | | | Alternate Tools: GBP752D & GBP2400B | |
| Ref. No. | Qty. | Description | MBC04-752B-45 | MBC05-752B-45 | MBC06-752B-45 |
| 1 | 1 | Anvil-Driving | 10259 | 10260 | 10261 |
| 2 | 1 | Anvil & Holder Assy. | 17778 | 17779 | 17780 |
| 3 | 1 | Collet | 20717 | 20717 | 20717 |
| 4 | 1 | Super-Grip Jaw Assembly | 30425-S | 30545-S | 30656-S |
| 5 | 1 | Collet Extension | 70551 | 70551 | 70551 |