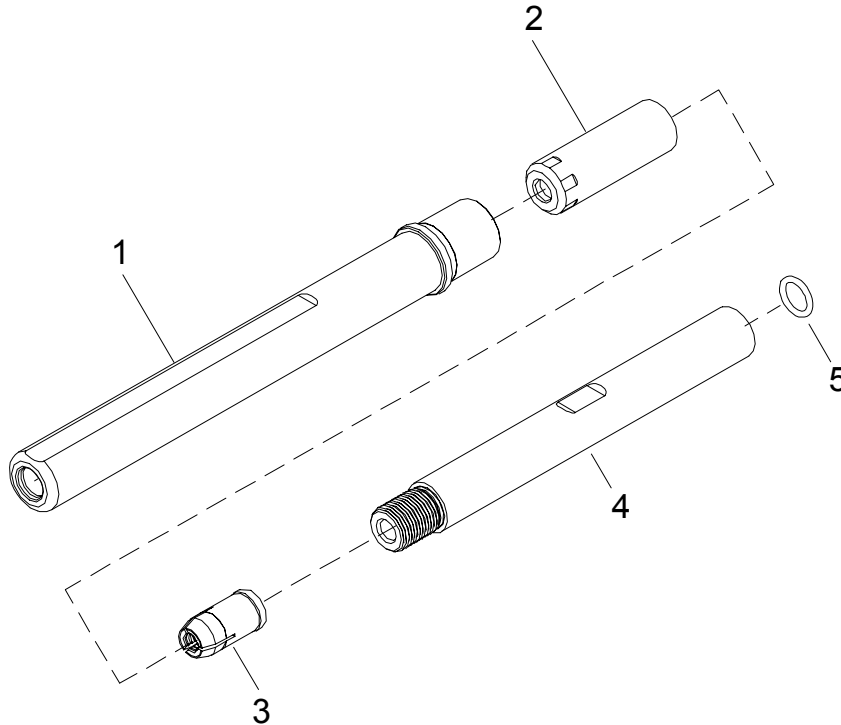
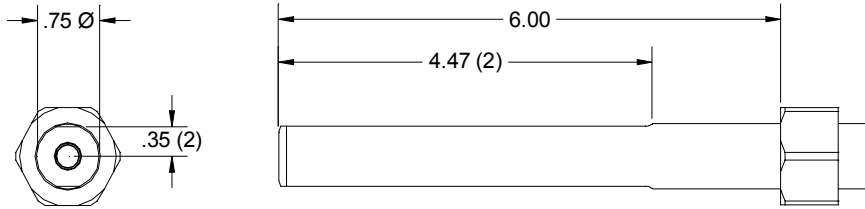


NOSE ASSEMBLY DATA SHEET



10/00 Rev. 6/03

*GBP752C requires 100 psi for 1/4" \varnothing .

GAGE BILT

GAGE BILT PRODUCTS CORP.

14500 Barber Drive (586) 771-7664
 Warren, Mi 48088 (586) 771-2665 Fax
 e-mail: solutions@gagebilt.com / www.gagebilt.com

Type:		Fastener:		Recommended Tool:	
Single Action 3/16 & 1/4 \varnothing		MAGNA-GRIP® Maxlok®		GBP713A Alternate Tool: GBP2400B & *GBP752C	
Ref. No.	Qty.	Description	MG06-713-60	MG08-713-60	
1	1	Anvil	10614	10811	
2	1	Collet	20841	20841	
3	1	Super Grip Jaw Assembly	30652-S	30860-S	
4	1	Collet Extension	70822	70822	
5	1	O'Ring	400778	400778	

MAGNA-GRIP® is a Registered Trademark of Huck Int'l Inc.

Maxlok® is a Registered Trademark of Avdel, plc.