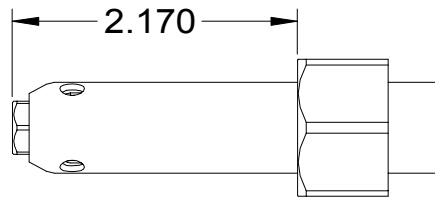
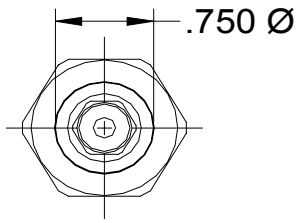
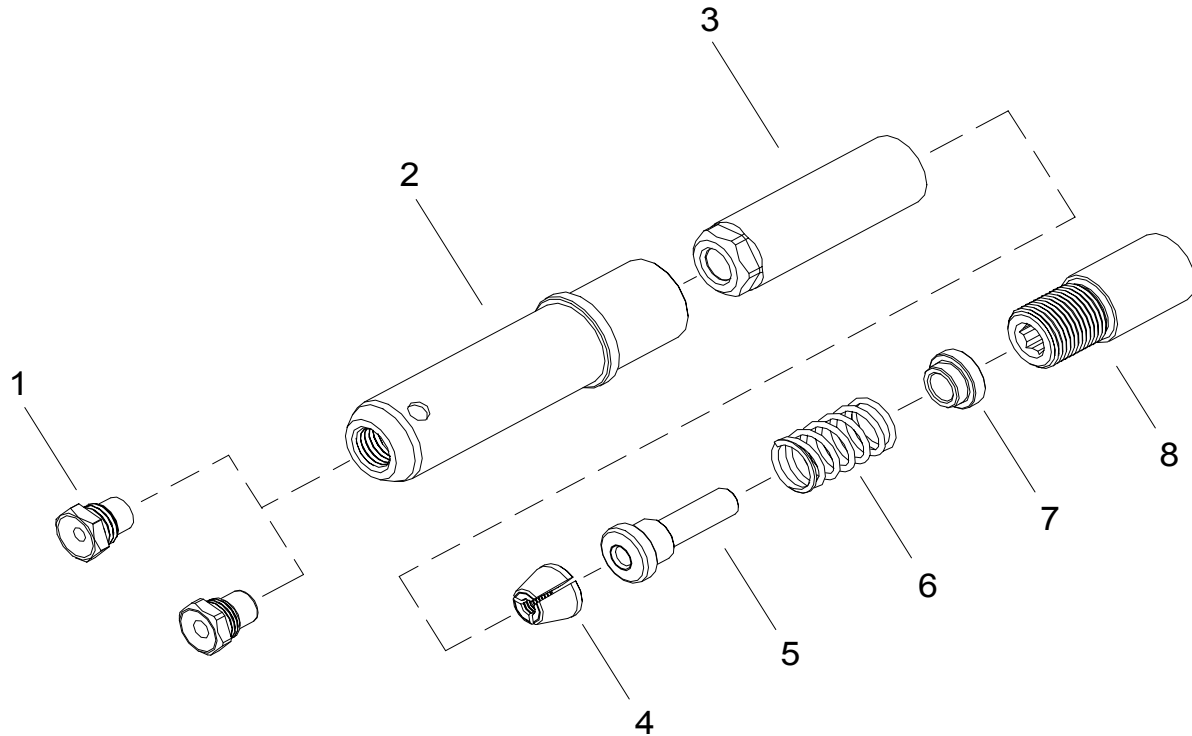


# NOSE ASSEMBLY DATA SHEET



Use Hex Key in rear of collet extension for collet disassembly.

Use Hex Key in rear of piston for nose assembly attachment.



6/07

**GAGE BILT**  
MADE IN U.S.A.

**GAGE BILT Inc.**

44766 Centre Court (586) 226-1505  
Clinton Twp., MI 48038 (586) 226-1505 Fax  
e-mail:solutions@gagebilt.com / www.gagebilt.com

Type:		Fastener:	Recommended Tool: GB722
Self-Releasing		Protruding Head Serrated Stem Structural Rivets	Alternate Tools: GB752 & GB2480
Ref. No.	Qty.	Description	<b>MGL68-752A-21</b>
1	1	Nose Tip (3/16")	10248
1	1	Nose Tip (1/4")	10205
2	1	Anvil Holder	10942-7
3	1	Collet	20845
4	1	Jaw Set	36801
5	1	Follower	40811
6	1	Spring	50421
7	1	Cap	40810
8	1	Collet Extension	70823