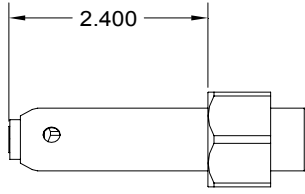
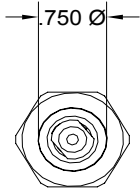
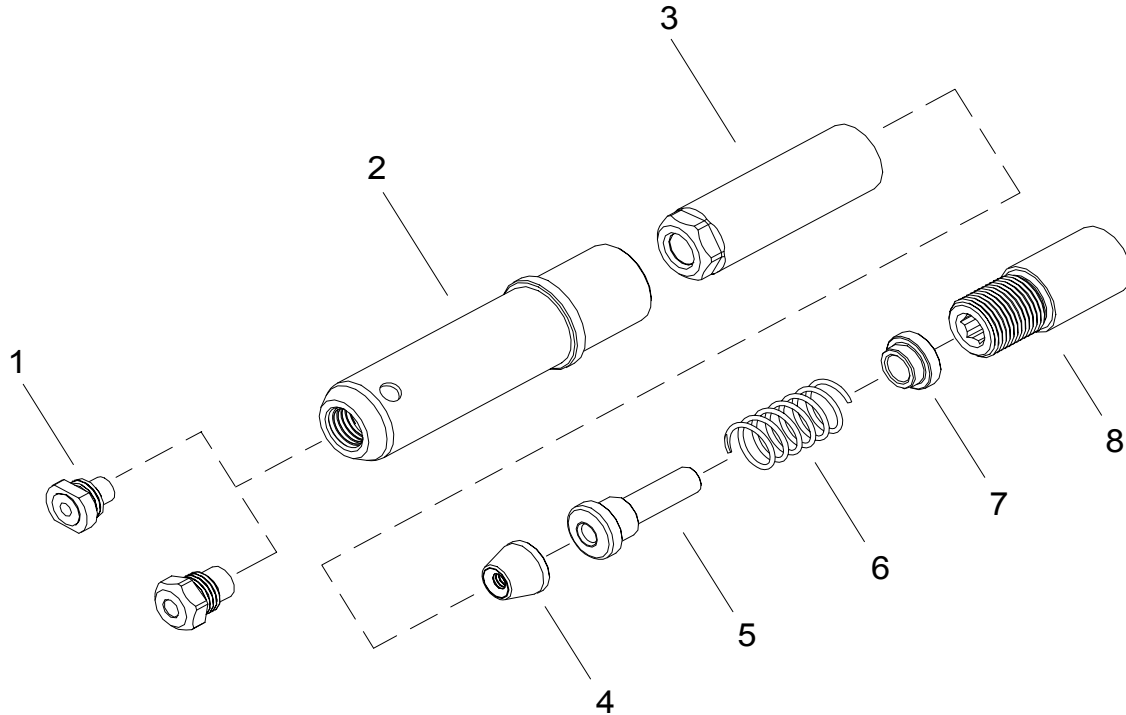


NOSE ASSEMBLY DATA SHEET



Use Hex Key in rear of collet extension for collet disassembly.

Use Hex Key in rear of piston for nose assembly attachment.



3/06

GAGE BILT
MADE IN U.S.A.

GAGE BILT Inc.

44766 Centre Court (586)226-1500
Clinton Twp. MI 48038 (586) 226-1505 Fax
e-mail:solutions@gagebilt.com / www.gagebilt.com

Type:		Fastener:	Recommended Tool: GB722
Self-Releasing		Countersunk and Protruding Head Serrated Stem Structural Rivets	Alternate Tools: GB752 & GB2480(A)
Ref. No.	Qty.	Description	MGLC68-752A-21
1	1	Nose Tip (3/16")	10248-4
1	1	Nose Tip (1/4")	10211-1
2	1	Anvil Holder	10942-7
3	1	Collet	20845
4	1	Jaw Set	36801
5	1	Follower	40811
6	1	Spring	50421
7	1	Cap	40810
8	1	Collet Extension	70823