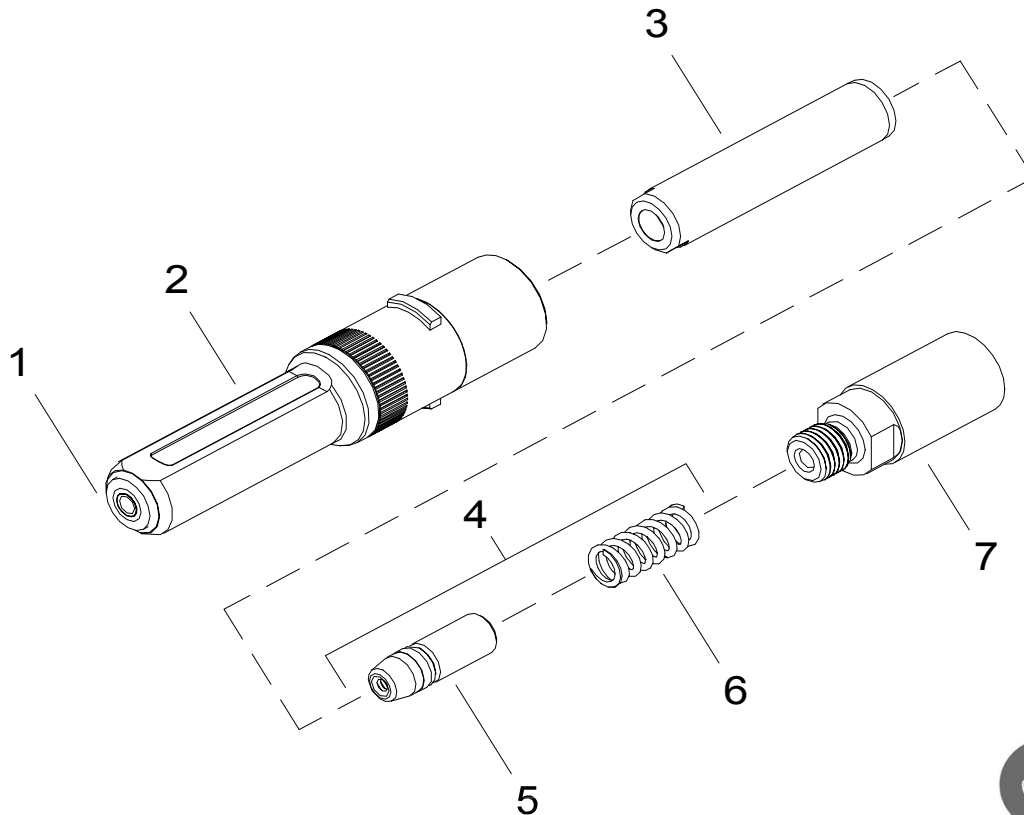
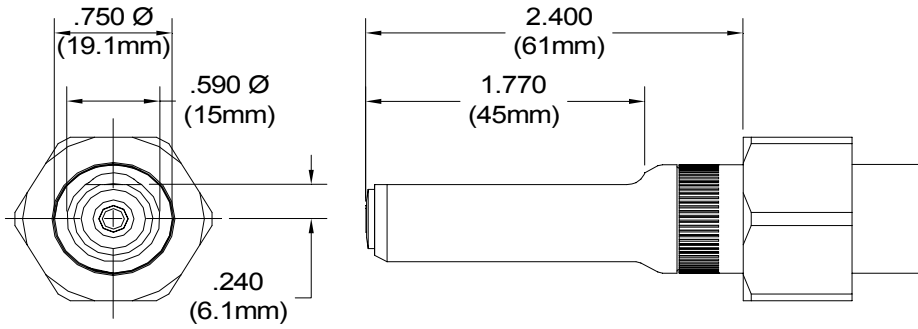


NOSE ASSEMBLY DATA SHEET

Use Hex-Key in rear of piston
For nose assembly attachment



3/08

*Anvil Assembly includes 35208 retainer.

GAGE BILT

GAGE BILT Inc.

44766 Centre Court (586) 226-1500
Clinton Twp., MI 48038 (586) 226-1505 Fax
e-mail: solutions@gagebilt.com / www.gagebilt.com

Type: Self-Releasing		Fastener: MS30600 SERIES MS/PT/9SP BACR15CC/CF/DA/DR	Recommended Tool: GB752			
3/32", 1/8", 5/32" and 3/16" Ø			Alternate Tools: GB751, GB722 & GB2480			
Ref. No.	Qty.	Description	MS3-352B-25	MS4-352B-25	MS5-352B-25	MS6-352B-25
1	1	Anvil-Driving	13395	10477	15584	16698
2	1	Anvil & Holder Assembly (Inc. #1)	11314	11315	11316	11317
3	1	Collet	20502	20502	20502	20502
4	1	Jaw Assembly (Inc. 5 & 6)	30301-M3	30406-M6	30511-M7	30610-M7
5	1	Jaw Assembly	30301-M2	30406-M5	30511-M6	30610-M6
6	1	Spring	50401	50401	50401	50401
7	1	Collet Extension	70501	70501	70501	70501