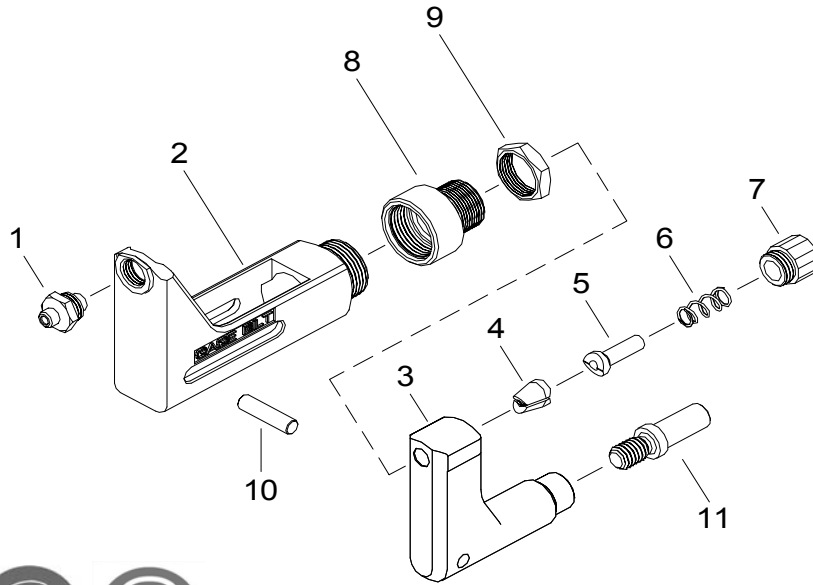
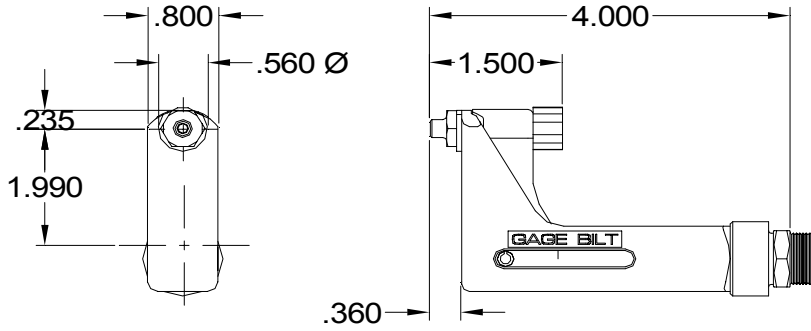


NOSE ASSEMBLY DATA SHEET



Rev 11/07

GAGE BILT
MADE IN U.S.A.

GAGE BILT PRODUCTS CORP.

14500 Barber Drive (586) 771-7664
Warren, Mi 48088 (586) 771-2665 Fax
e-mail: solutions@gagebilt.com / www.gagebilt.com

Type:		Fasteners:				Recommended Tool: GBP715C
Non Self-Releasing 3/32", 1/8", 5/32" & 3/16" Ø		N, Q & E POP®, CLOSED END AVEX® & COMMERCIAL RIVETS				
Ref. No.	Qty.	Description	3N- 715-400S	4N- 715-400S	5N- 715-400S	6N- 715-400S
1	1	Nose Tip	10247	10202	12277	12278
2	1	Anvil Holder	13368	13368	13368	13368
3	1	Collet	20914	20914	20914	20914
4	1	Jaw Set	30617	30617	30311-1	30311-1
5	1	Follower	40506	40506	40506	40304-2
6	1	Spring	50418	50418	50418	50418
7	1	Cap	60429	60429	60429	60429
8	1	Anvil Adapter	70334	70334	70334	70334
9	1	Nut	70411	70411	70411	70411
10	1	Pin	70468	70468	70468	70468
11	1	Collet Adapter	70333	70333	70333	70333

|

|