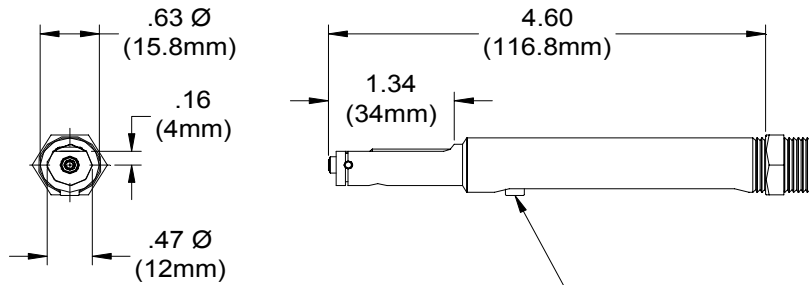
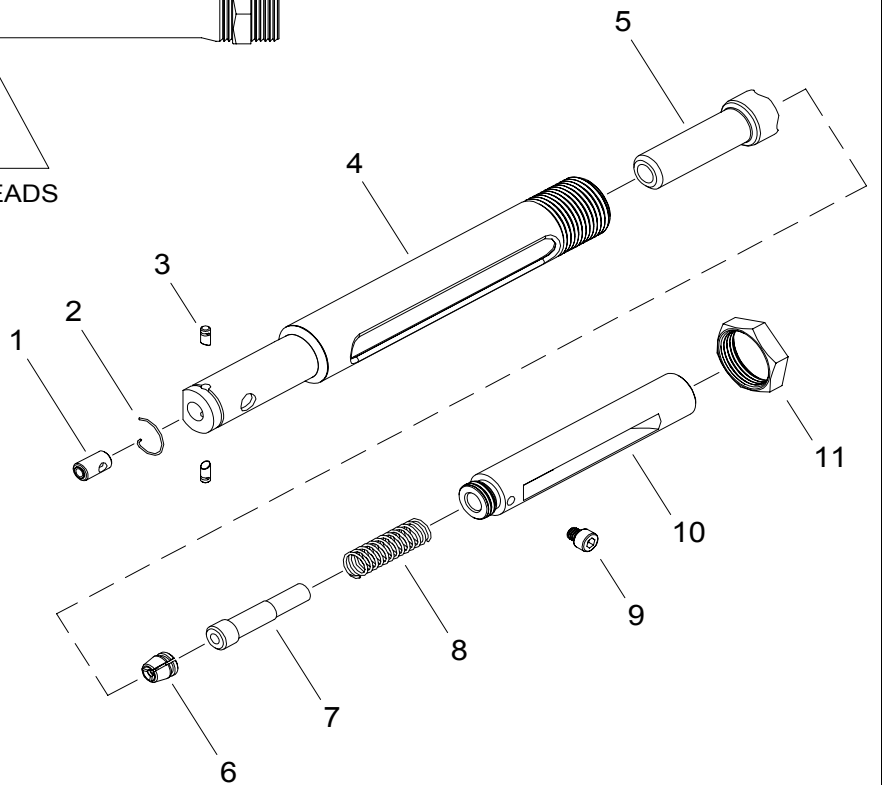


NOSE ASSEMBLY DATA SHEET



TO ATTACH TO TOOL PULL SCREW (9)
FULL FORWARD WHILE ENGAGING THREADS



3/01 Rev. 9/02

GAGE BILT

GAGE BILT Inc.

44766 Centre Court (586) 226-1500
Clinton Twp., MI 48038 (586) 226-1505 Fax
e-mail: solutions@gagebilt.com / www.gagebilt.com

| | | |
|-------------------------------|--------------------------------|---------------------------------|
| Type: | Fastener: | Recommended Tool: |
| SINGLE ACTION 3/32 & 1/8 Ø | NUT PLATE BACR15CC/CF/DA/DR | GB715 |
| | | Alternate Tools: GB51 & GB36 |

| Ref. No. | Qty. | Description | 3NP-51-46 | 4NP-51-46 |
|----------|------|-----------------------------|-----------|-----------|
| 1 | 1 | Nose Tip | 10334 | 10334-1 |
| 2 | 1 | Spring-Racket Pin | 50308 | 50308 |
| 3 | 2 | Pin-Racket | 15520 | 15521 |
| 4 | 1 | Anvil-Holder | 10318 | 10318 |
| 5 | 1 | Collet | 20326 | 20326 |
| 6 | 1 | Chuck Jaws (Includes 50318) | 30308 | 30420 |
| 7 | 1 | Follower | 40304 | 40304 |
| 8 | 1 | Spring | 50307 | 50307 |
| 9 | 1 | Screw | 70303 | 70303 |
| 10 | 1 | Drawbolt | 70301 | 70301 |
| 11 | 1 | Locknut | 70411 | 70411 |