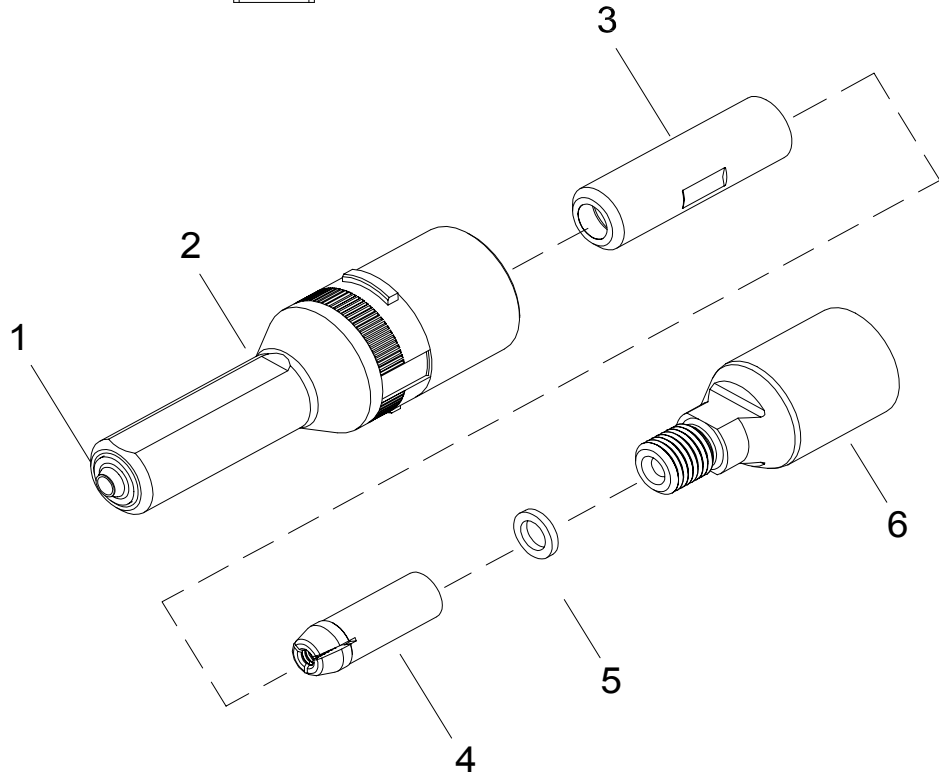
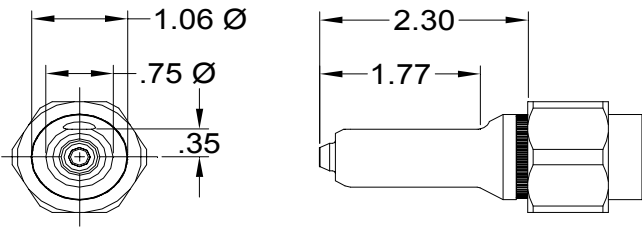


# NOSE ASSEMBLY DATA SHEET

Use Hex-Key in rear of piston for Nose Assembly attachment.



3/11

\*Anvil Assembly includes 35308 retainer.

**GAGE BILT**  
MADE IN U.S.A.

**GAGE BILT Inc.**

44766 Centre Court (586) 226-1500  
Clinton Twp. MI 48038 (586) 226-1505 Fax  
e-mail:solutions@gagebilt.com / www.gagebilt.com

Type:		Fasteners:	Recommended Tool:	
Non Self-Releasing 5/32" & 3/16" Ø		<b>BLIND BOLT (SINGLE ACTION) WITH OR W/OUT DRIVE WASHER</b> MS90353S & U / MS90354S & U MS21140S & U / MS21141S & U CR7000 SERIES, BACB30YY, YU, & YT	<b>GB745</b>	
			Alternate Tools: GB756 & GBP4801B	
Ref. No.	Qty.	Description	SB05-745C-23	SB06-745C-23
1	1	Anvil-Driving	10562	10683
2	1	Anvil & Holder Assembly	11164	11165
3	1	Collet	20727	20727
4	1	Super-Grip Jaw Assembly	30545-CS	30655-CS
5	1	Spacer	70572	70572
6	1	Collet Extension	70552	70552