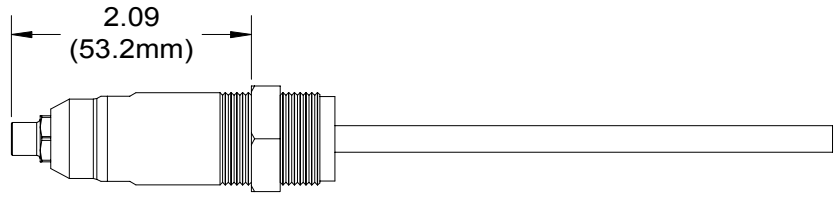
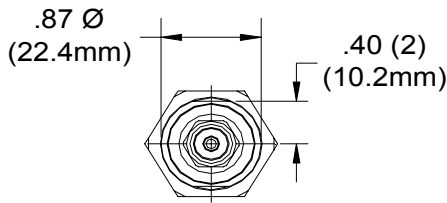


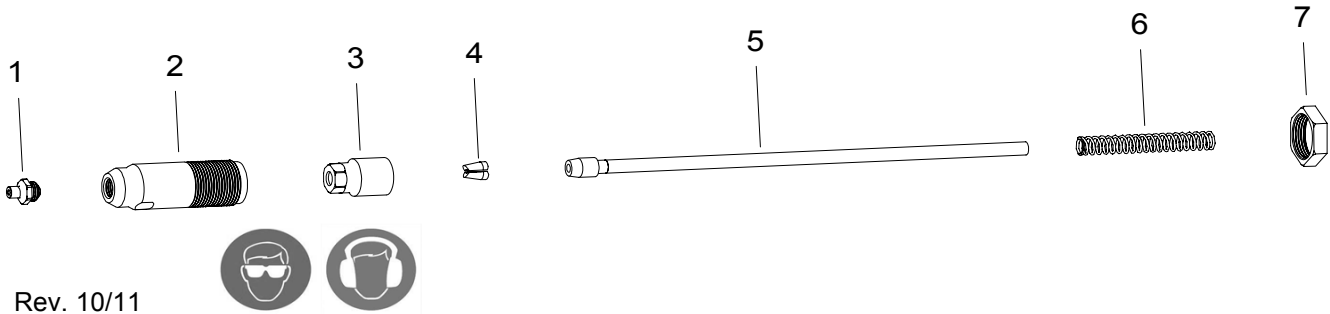
NOSE ASSEMBLY DATA SHEET



RIVET	DIAMETER	NOSE ASSEMBLY	NOSE TIP	FOLLOWER
KLAMP-TITE® RIVET	3/16	6KT-703-18SRV	10263	703425
MACHINE SCREW	5mm	MS5M-703-18SRV	10332	703425
NAS1719, NAS1720, NAS1721 MBC®	1/8	MBC04-703-18SRV	10251	703431
	5/32	MBC05-703-18SRV	10252	703425
	3/16	MBC06-703-18SRV	10253	703425
NUT PLATE RIVETS	3/32	3NP-703-18SRV	10231	703431
	5/32	5N-703-18SRV	10203	703425
OPEN END	3/32	3N-703-18SRV	10201	703431
CLOSED END	1/8	4N-703-18SRV	10202	703431
MULTI-GRIP STRUCTURAL NAIL RIVET	5/32	5N-703-18SRV	10203	703425
	3/16	6N-703-18SRV	10204	703425
PLASTIC SPLIT RIVET	3/32	3P-703-18SRV	10247-1	703431
	1/8	4P-703-18SRV	10202-4	703431
	5/32	5P-703-18SRV	10203-2	703425
T RIVET®	3/16	6P-703-18SRV	10167	703425
	3/16	6T-703-18SRV	10209	703425

KLAMP-TITE® IS A REGISTERED TRADEMARK OF AVDEL UK LIMITED. T RIVET® IS A REGISTERED TRADEMARK OF CHERRY AREOSPACE FASTENERS.

11/11



Rev. 10/11

GAGE BILT
MADE IN U.S.A.

GAGE BILT Inc.

44766 Centre Court (586) 226-1500
Clinton Twp. MI 48038 (586) 226-1505 Fax
e-mail: solutions@gagebilt.com / www.gagebilt.com

Type:		Fasteners:	Recommended Tool:
Self-Releasing		See Chart	GBP703E & GB743
Ref. No.	Qty.	Description	XX-703-18SRV
1	1	Nose Tip	See Chart
2	1	Anvil Holder	10757
3	1	Collet	20518
4	1	Jaw Set	30617
5	1	Follower	See Chart
6	1	Spring	405371
7	1	Jam Nut	70820