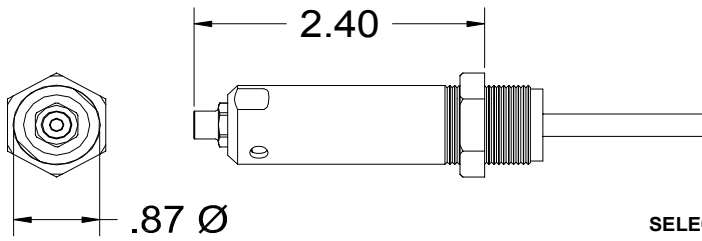
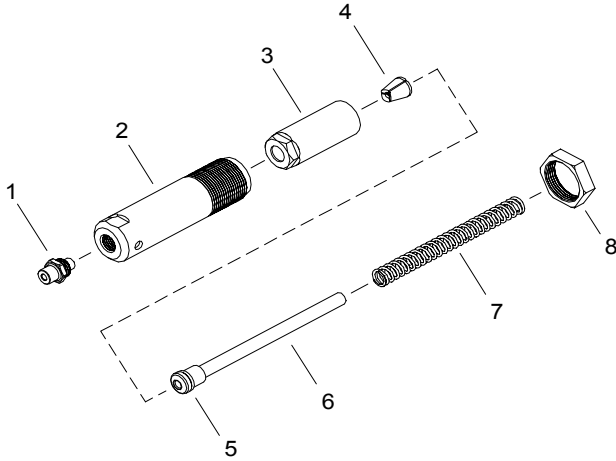


# NOSE ASSEMBLY DATA SHEET



## SELECTION CHART FOR COUNTERSUNK AND PROTRUDING HEAD RIVETS

RIVET	DIA.	NOSE ASSEMBLY	NOSE TIP	FOLLOWER
N, Q & E, POP®, CLOSED END, AVEX®, MAGNA-LOK®, MAGNA-BULB®, HEMLOK®, KLAMPTITE®, BULB-TITE® (NON-SRUCTURAL) & ULTRA-GRIP® COMMERCIAL RIVETS	3/16 1/4	6N-743-24 8Z-743-24	10204 10211	48808 48808
T RIVET®	3/16 1/4	6T-743-24 8T-743-24	10209 10286	48808 48808
MONOBOLT®	3/16 1/4	MB06-743-24 MB08-743-24	10210 10213	48808 48808
KLAMPTITE (STRUCTURAL) RIVET	3/16 1/4	6KT-743-24 8KT-743-24	10263 10262	48808 48808
AVEX (1624 PROTRUDING HEAD) AVEX (1624 COUNTERSUNK HEAD)	3/16 3/16	AV6-743-24 6C-743-24	10141 10141-1	48808 48808
PLASTIC SPLIT	3/16 1/4	6P-743-24 8P-743-24	10167 10166	48808 48808
AVSEAL®	10mm	ASM10-743-24	10173	48808
BULB-TITE® (STRUCTURAL)	3/16 1/4 9/32	BT06-743-24 BT08-743-24 BT09-743-24	12282-1 10391 10289	48808 48808 40901
MACHINE SCREW	5mm	MS5M-743-24	10332	48808



## SELECTION CHART FOR PROTRUDING HEAD RIVETS ONLY

RIVET	DIA.	NOSE ASSEMBLY	NOSE TIP	FOLLOWER
N, Q & E, POP, CLOSED END, AVEX, MAGNA-LOK, MAGNA-BULB, HEMLOK, KLAMPTITE, BULB-TITE (NON-SRUCTURAL) & ULTRA-GRIP COMMERCIAL RIVETS (1)	3/16 1/4	MGL06-743-24 MGL08-743-24	10170 10205	48808 48808

1. FOR HIGH PRODUCTION SERRATED STEM APPLICATIONS USE PH6 & PH8-734-20.

POP® AND ULTRA-GRIP® ARE REGISTERED TRADEMARKS OF EMHART TEKNOLOGIES. MAGNA-LOK® AND MAGNA-BULB® ARE REGISTERED TRADEMARKS OF ALCOA INC. AVEX®, AVSEAL®, HEMLOK®, KLAMPTITE® AND MONOBOLT® ARE REGISTERED TRADEMARKS OF AVDEL UK LIMITED. BULB-TITE® IS A REGISTERED TRADEMARK OF GESIPA FASTENERS USA, INC. T RIVET® IS A REGISTERED TRADEMARK OF CHERRY AEROSPACE.

9/90 Rev. 2/07



**GAGE BILT**  
MADE IN U.S.A.

**GAGE BILT Inc.**

44766 Centre Court (586) 226-1500  
Clinton, MI 48038 (586) 226-1505 Fax  
e-mail: solutions@gagebilt.com / www.gagebilt.com

Type:		Fasteners:		Recommended Tool:	
Self-Releasing		See Chart		GB743	
Ref. No.	Qty.	Description		<b>XX-743-24</b>	
1	1	Nose Tip		See Chart	
2	1	Anvil Holder		10951-2	
3	1	Collet		20867	
4	1	Jaw Set		30824	
5	1	O'Ring		400777	
6	1	Follower		See Chart	
7	1	Spring		50626	
8	1	Jam Nut		70820	