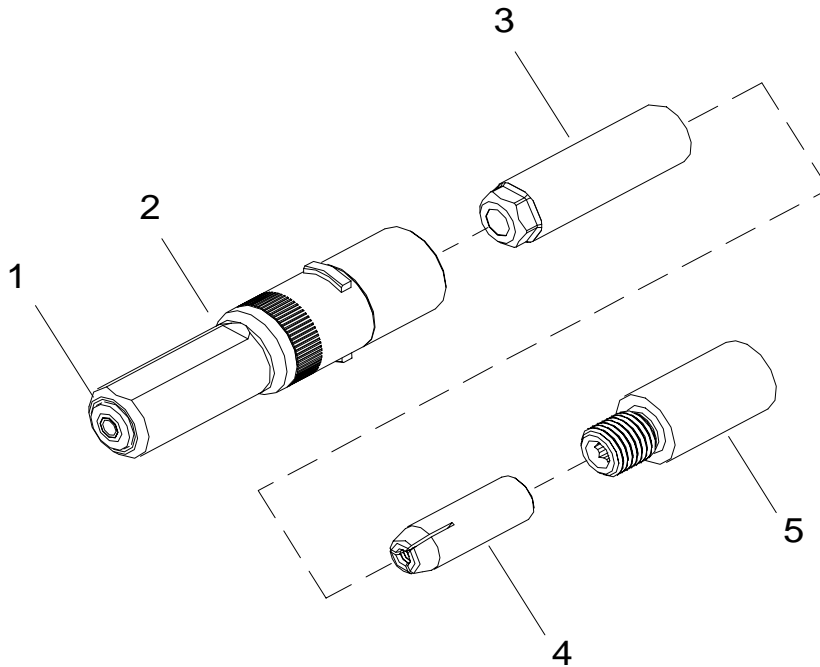
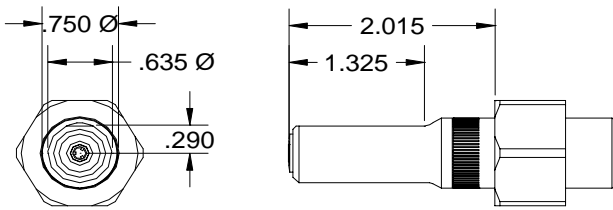


NOSE ASSEMBLY DATA SHEET



Use Hex-Key in rear of piston
for nose assembly attachment.

Use Hex-Key in rear of collet
extension for collet disassembly.

*Anvil Assembly consists of #1
and 35208 retainer

1/02

GAGE BILT

GAGE BILT PRODUCTS CORP.

14500 Barber Drive
Warren, Mi 48088

(586) 771-7664
(586) 771-2665 Fax

e-mail:solutions@gagebilt.com / www.gagebilt.com

Type:		Fastener:		Recommended Tool:	
Non Self-Releasing 1/4" Ø		NAS9301-NAS9312 M7885 BACR15FP/FR BACR15GF/GK		GBP752B	
				Alternate Tools: GBP713 & GBP2400B	
Ref. No.	Qty.	Description		08MAX-752B-20	
1	1	Anvil-Driving		18837	
2	1	Anvil & Holder Assembly (Inc. #1)		17767	
3	1	Collet		20717	
4	1	Super-Grip Jaw Assembly		30656-S	
5	1	Collet Extension		70550	