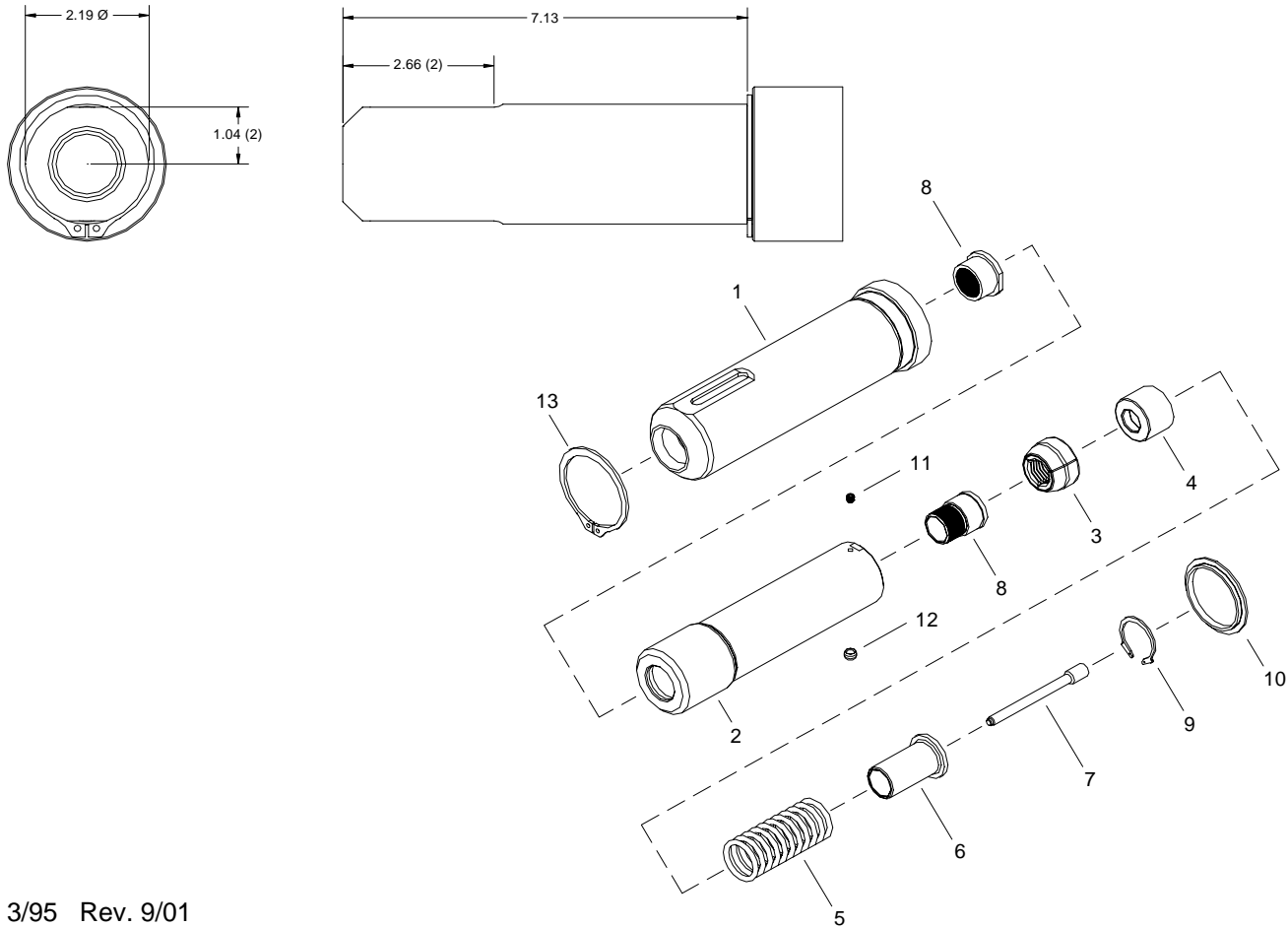


NOSE ASSEMBLY DATA SHEET



3/95 Rev. 9/01

GAGE BILT

GAGE BILT PRODUCTS CORP.

14500 Barber Drive (586) 771-7664
 Warren, Mi 48088 (586) 771-2665 Fax
 e-mail: solutions@gagebilt.com / www.gagebilt.com

Type:	Fasteners:	Recommended Tool:
Self-Releasing 5/8 & 3/4 Ø	C50L Lockbolt	GBP585

Ref. No.	Qty.	Description	20-585-70	24-585-70
1	1	Anvil	12010	12413
2	1	Collet Assembly (incl. 8, 9 & 10)	22010	22411
3	1	Jaw Set	32001	32401
4	1	Follower	42003	42401
5	11	O'Ring	400846	400846
6	1	Sleeve	62005	62407
7	1	Pintail Ejector	52004	52004
8	1	Release & Ejector Kit	82000	82400
9	1	Retaining Ring	402263	402263
10	1	Sleeve- Collet Lock	-----	62402
11	1	Socket Set Screw	A-280	A-280
12	1	Collet Lock Assembly	54502	54502
13	1	Retaining Ring	401027	401027