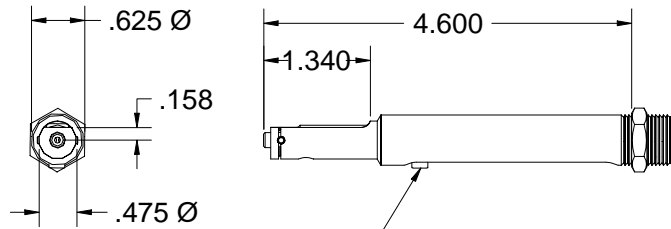
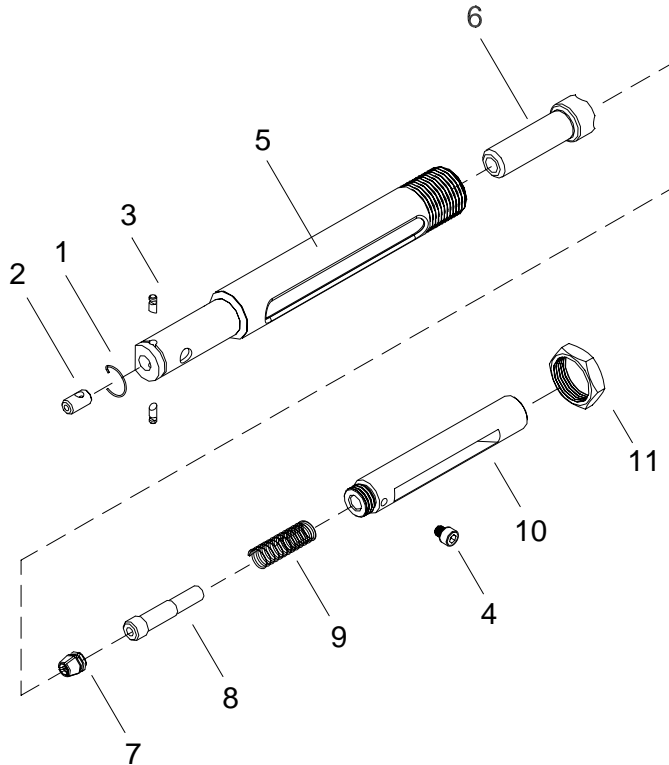


NOSE ASSEMBLY DATA SHEET



TO ATTACH TO TOOL PULL SCREW (4) FULL FORWARD WHILE ENGAGING THREADS.



1/99 Rev. 8/01

GAGE BILT

GAGE BILT PRODUCTS CORP.

14500 Barber Drive (586) 771-7664
 Warren, Mi 48088 (586) 771-2665 Fax
 e-mail:solutions@gagebilt.com / www.gagebilt.com

TYPE:	FASTENERS:	RECOMMENDED TOOL:
SINGLE ACTION 3/32 & 1/8 Ø	NAS1398A/1399A NAS1738A/1729A RV1000/1100 & 1200	GBP715B
		ALTERNATE TOOLS: GBP50 & GBP51

Ref. No.	Qty.	Description	3A-51-46	4A-51-46
1	1	Spring-Ratchet Pin	50308	50308
2	1	Nose Tip	10153	10154
3	2	Pin-Ratchet	15520	15521
4	1	Screw	70303	70303
5	1	Anvil-Holder	10318	10318
6	1	Collet	20326	20326
7	1	Chuck Jaws (Includes A-326)	30308	30420
8	1	Follower	40304	40304
9	1	Spring	50307	50307
10	1	Drawbolt	70301	70301
11	1	Locknut	70411	70411