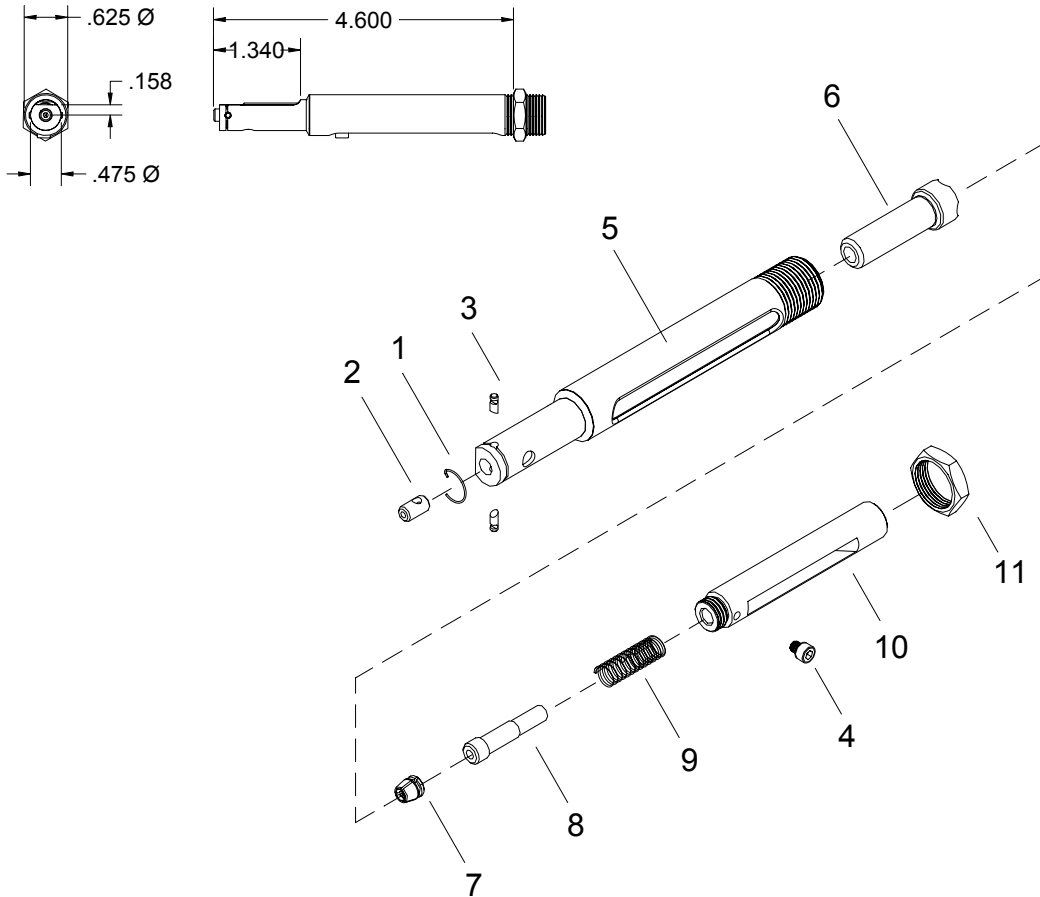


NOSE ASSEMBLY DATA SHEET



3/01 Rev. 7/02

GAGE BILT

GAGE BILT PRODUCTS CORP.

14500 Barber Drive (586) 771-7664
 Warren, Mi 48088 (586) 771-2665 Fax
 e-mail:solutions@gagebilt.com / www.gagebilt.com

TYPE:	FASTENERS:	RECOMMENDED TOOL:
SINGLE ACTION 3/32 & 1/8 Ø	NUT PLATE BACR15CC/CF/DA/DR	GBP715B
		ALTERNATE TOOLS: GBP51 & GBP36

Ref. No.	Qty.	Description	3NP-51-46	4NP-51-46
1	1	Spring-Ratchet Pin	50308	50308
2	1	Nose Tip	10334	10334-1
3	1	Pin-Ratchet	15521	15521
4	1	Screw	70303	70303
5	1	Anvil-Holder	10318	10318
6	1	Collet	20326	20326
7	1	Chuck Jaws	30308	30420
8	1	Follower	40304	40304
9	1	Spring	50307	50307
10	1	Drawbolt	70301	70301
11	1	Locknut	70411	70411