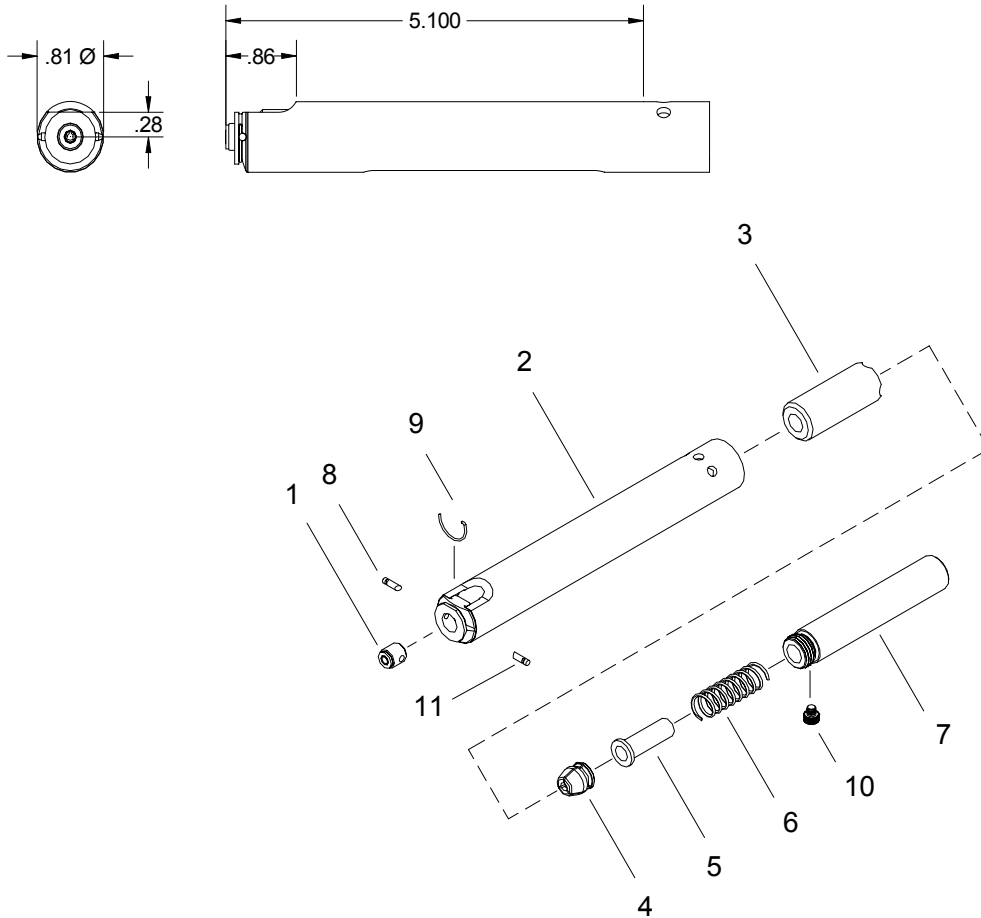


NOSE ASSEMBLY DATA SHEET



3/92 Rev. 4/05

GAGE BILT

GAGE BILT PRODUCTS CORP.

14500 Barber Drive
Warren, Mi 48088

(586) 771-7664
(586) 771-2665 Fax

e-mail: solutions@gagebilt.com / www.gagebilt.com

TYPE:	FASTENERS:	RECOMMENDED TOOL:
SINGLE ACTION 1/8, 5/32 & 3/16 Ø	NAS1398A, NAS1399A NAS1738A & NAS1739A RV1000, RV1100 & RV1200	GBP740A

Ref. No.	Qty.	Description	4A-740-52	5A-740-52	6A-740-52
1	1	Anvil-Insert	10304	10305	10306
2	1	Collet	20324	20324	20324
3	1	Anvil Holder	10954	10954	10954
4	1	Chuck Jaws	30404	30503	30604
5	1	Follower	40302	40302	40302
6	1	Spring	50305	50305	50305
7	1	Drawbolt	70316	70316	70316
8	1	Stem Stop	15503	15501	15502
9	1	Spring-Retaining	50302	50302	50302
10	1	Screw	400046	400046	400046