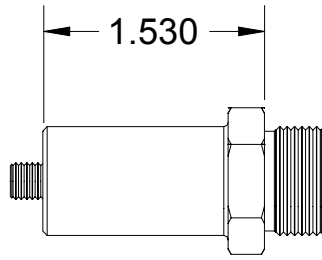
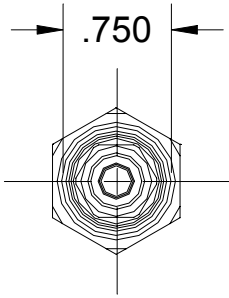
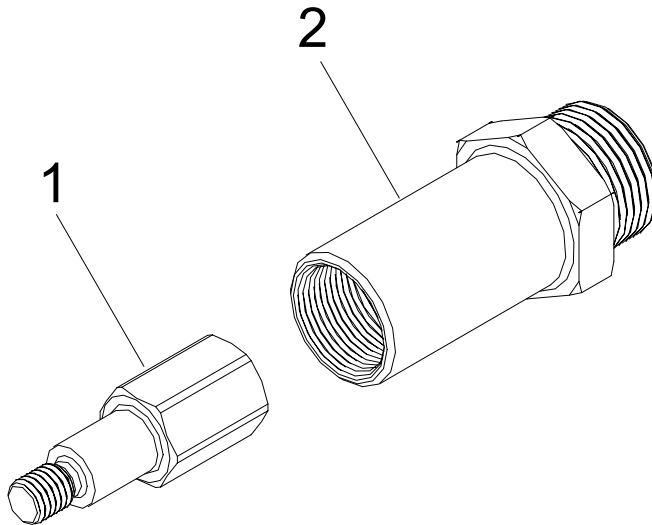


# ADAPTER DATA SHEET



NSN: 5130-01-134-8231



The 704001 Adapter permits the use of the GBP 715 series, Olympic & Allfast group 1 screw-on Nose Assemblies including Ground Stud Nose Assemblies on GBP704B, Cherry 704A, Allfast RV15G & Huck 2013 tools.

8/87 Rev. 4/00

Ref. No.	Qty.	Description	Part Number
1	1	Anvil Adapter	70424
2	1	Collet Adapter	70425

<b>FASTENERS:</b> Permits the use of GBP screw-on type pulling Heads on Model GBP704B tool.	<b>Tool:</b> GBP704B
	<b>Type:</b> ADAPTER

<b>GAGE BILT</b>	<b>GAGE BILT PRODUCTS CORP.</b> 14500 Barber Drive (586) 771-7664 Warren, Mi 48088 (586) 771-2665 Fax e-mail:solutions@gagebilt.com / www.gagebilt.com	NOSE ASSEMBLY
		<b>704001</b>