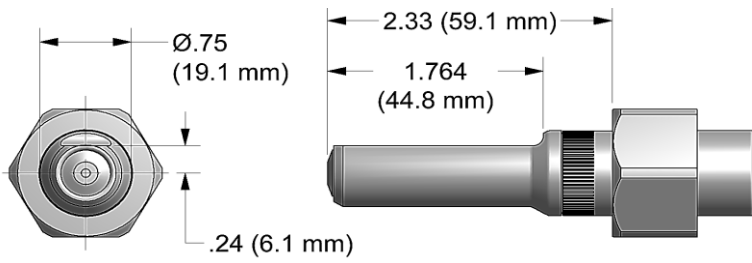
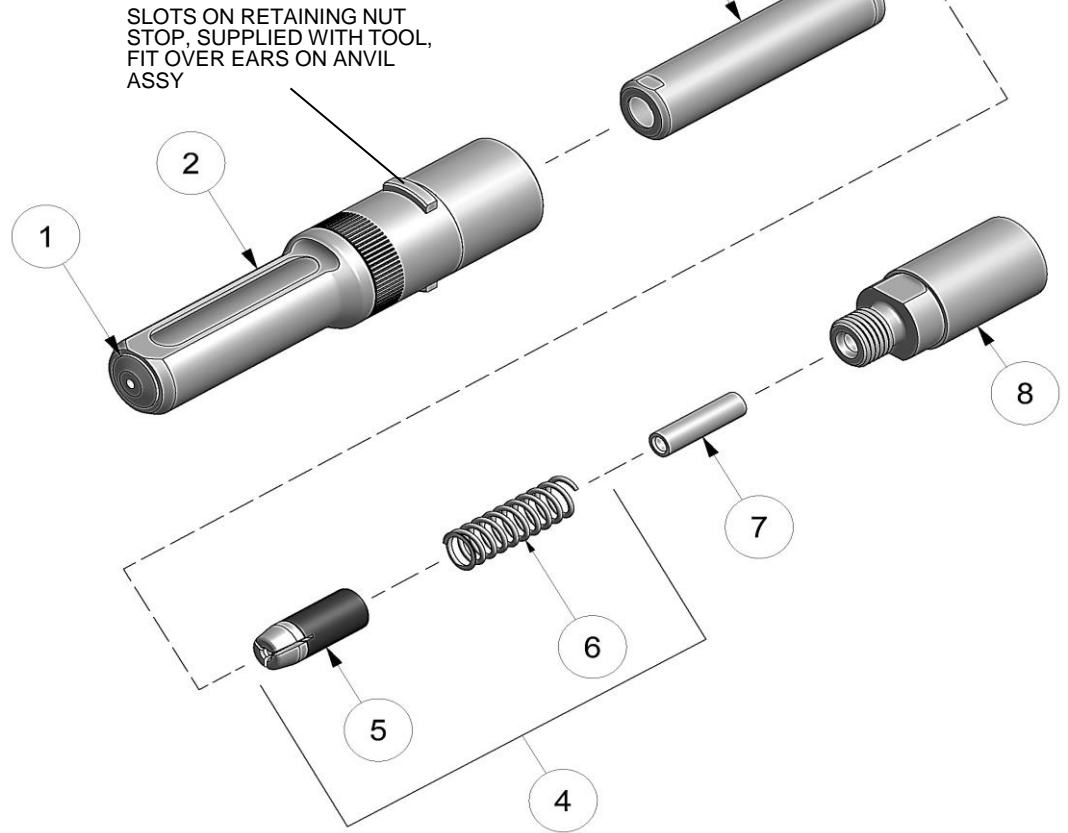


NOSE ASSEMBLY DATA SHEET



Use Hex-Key in rear of piston
For nose assembly attachment



*Anvil Assembly includes 35208 retainer.

8/15

GAGE BILT

GAGE BILT Inc.

44766 Centre Court (586) 226-1500
Clinton Twp., MI 48038 (586) 226-1505 Fax
e-mail:solutions@gagebilt.com / www.gagebilt.com

Type: Non Self-Releasing		Fastener: MS20600, Cherry® 9000 Huck® PT, SP & MS RV200 & RV500	Recommended Tool: GB752
3/32" Ø			Alternate Tools: GB751, GB722 & GB2480
Ref. No.	Qty.	Description	3C-352B-25
1	1	Anvil-Driving	13002
2	1	Anvil & Holder Assy (Inc. #1)	12365
3	1	Collet	20502
4	1	Jaw Assy (inc. 5 & 6)	30314-A3
5	1	Super Grip Jaw Assy	30314-CS
6	1	Spring	50517
7	1	Spacer	60302
8	1	Adapter	70501