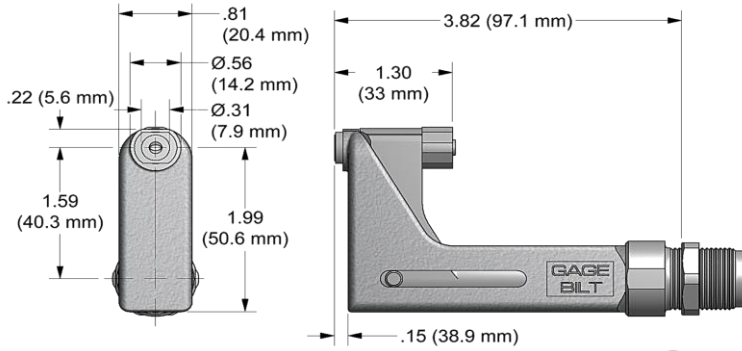
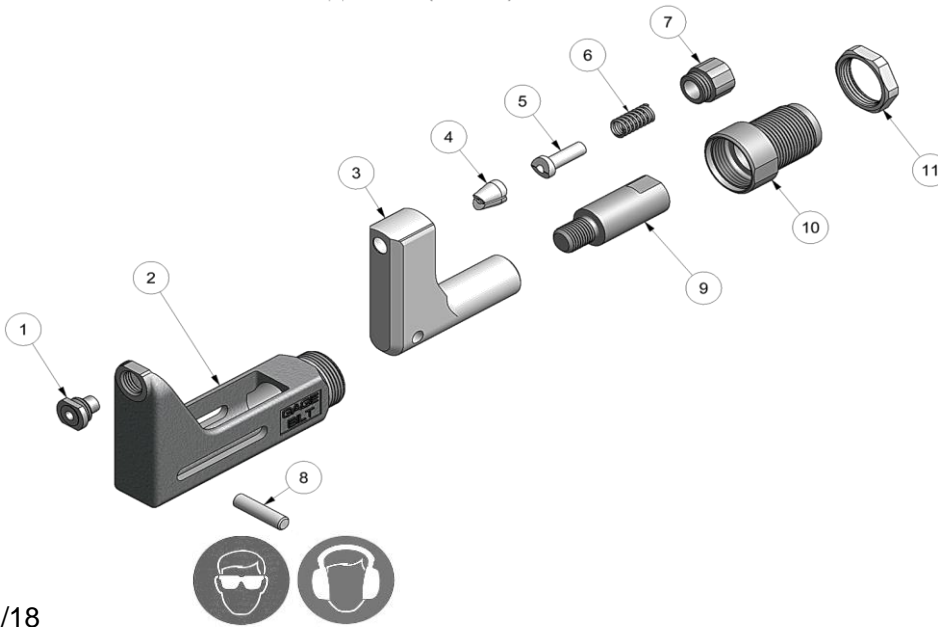


# NOSE ASSEMBLY DATA SHEET



## Attachment:

Screw collet adapter (9) onto piston of tool. Screw anvil adapter (10) into nose fitting of tool. Screw nose assembly onto tool until it stops then back off until nose is in desired position. (Warning: do not back off nose assembly more than one complete turn). Lock jam nut (70104) against face of adapter (70347).



2/18

**GAGE BILT**  
MADE in USA

44766 Centre Court Clinton Twp. MI 48038 USA  
Ph: +1 (586) 226-1500 Fax: +1 (586) 226-1505  
solutions@gagebilt.com / www.gagebilt.com

Type:		Fasteners:		Recommended Tool: GB704
Non Self-Releasing 1/8", 5/32" & 3/16" Ø		CHERRYMAX®, CHERRYMAX® 'AB', MBC® LOCK CREATOR BACR15FR/FP, BACR15GF/GK, NAS1900 S & U SERIES BLIND RIVET WITH DRIVE WASHER		
Ref. No.	Qty.	Description	<b>456MAX-704A-400S</b>	
1	1	Nose Tip	10425	
2	1	Anvil Holder	13536	
3	1	Collet	20915	
4	1	Jaw Set	30617	
5	1	Follower	40304-2	
6	1	Spring	A-1503	
7	1	Cap	60429	
8	1	Pin	70468	
9	1	Collet Adapter	70473	
10	1	Anvil Adapter	70347	
11	1	Jam Nut	70104	