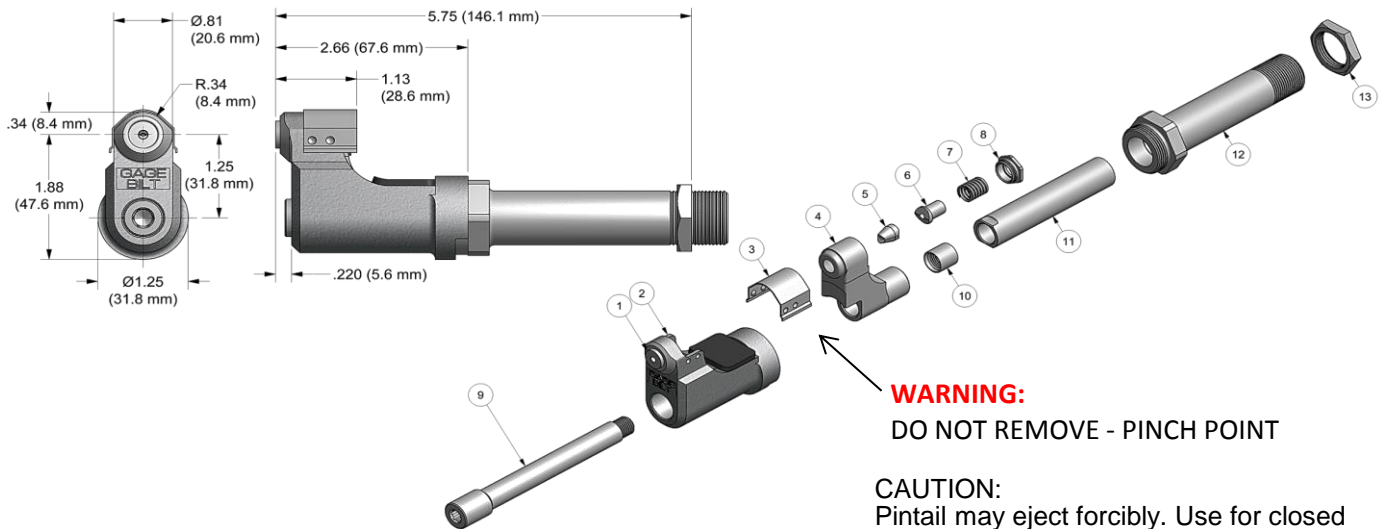


# NOSE ASSEMBLY DATA SHEET



**WARNING:**  
DO NOT REMOVE - PINCH POINT

**CAUTION:**  
Pintail may eject forcibly. Use for closed access applications only to prevent SEVERE PERSONAL INJURY!

### ATTACHING NOSE ASSEMBLY TO TOOL:

1. Cycle tool to ensure piston is full forward.
2. Disconnect tool from power source.
3. Screw anvil adapter (12) to head cylinder assy then tighten jam nut (13) to face of head cylinder assy.
4. Insert nut (10), counterbore "in", into adapter-collet (11), slide into anvil adapter (12) on tool and screw adapter-collet (11) to piston on tool using flats provided and hex in rear of piston.
5. Slide assembled collet (4) into anvil assy (2).
6. Apply Vibra-TITE® part no. 405124 to outside threads on anvil adapter (12) on tool.
7. Thread nose assy to anvil adapter (12) on tool. Then using a 1/4" and a 5/32" hex wrench, tighten nut (10) to drawbar (9).



5/18

**GAGE BILT**  
MADE in USA

44766 Centre Court Clinton Twp. MI 48038 USA  
Ph: +1 (586) 226-1500 Fax: +1 (586) 226-1505  
solutions@gagebilt.com / www.gagebilt.com

| Type:                                       |      | Fasteners:   | Recommended Tool:<br>GB744 |
|---|------|--|----------------------------|
| Non Self-Releasing<br>1/8", 5/32" & 3/16" Ø |      | CHERRYMAX®,<br>CHERRYMAX® 'AB',<br>MBC® LOCK CREATOR<br>BACR15FR/FP, BACR15GF/GK |                            |
| Ref. No.                                    | Qty. | Description  | 456MAX-744-500S            |
| 1   | 1    | Anvil Insert   | 16649                      |
| 2   | 1    | Anvil Assy (Incl. 61108 Rubber Guard)  | 10988                      |
| 3   | 1    | Guard  | 60426                      |
| 4   | 1    | Collet   | 20722                      |
| 5   | 1    | Chuck Jaw Assy   | 30513-F                    |
| 6   | 1    | Follower   | 40438                      |
| 7   | 1    | Spring   | 50518                      |
| 8   | 1    | Cap  | 70858                      |
| 9   | 1    | Draw Bar   | 71116                      |
| 10  | 1    | Nut  | 352211                     |
| 11  | 1    | Adapter-Collet   | 744208                     |
| 12  | 1    | Anvil Adapter  | 744207                     |
| 13  | 1    | Jam Nut  | 70821                      |