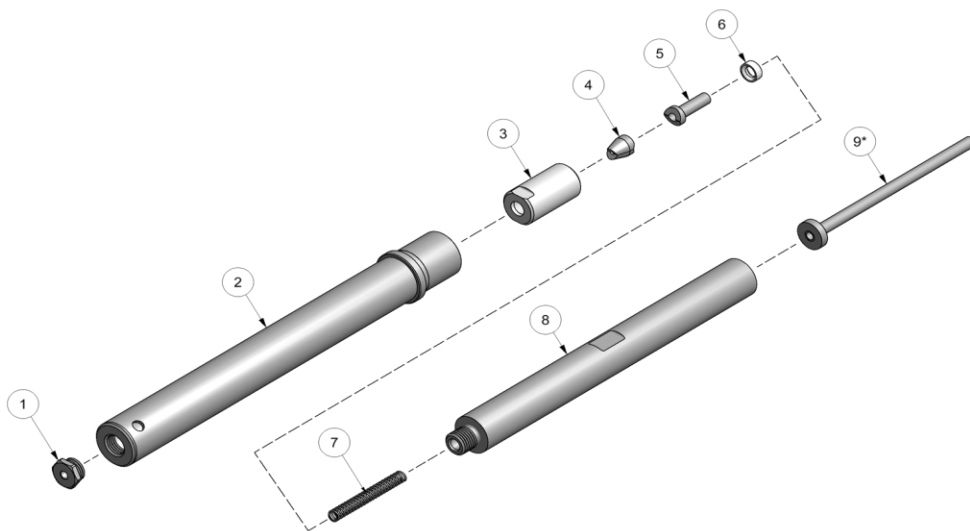
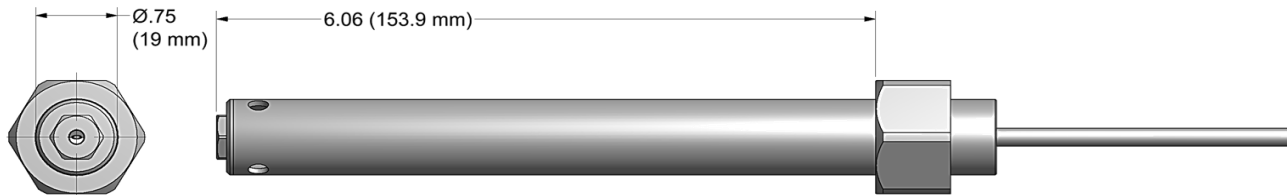


# NOSE ASSEMBLY DATA SHEET



## ASSEMBLY:

**Note:** If nose assy is assembled as it is when purchased new, follow steps 5-7 to attach to tool.

1. Insert pintail tube (9) into i.d. of piston on tool.
2. Drop chuck jaws (4) into rear of collet (3). (Note position of jaws in exploded view).
3. Slide bumper (6) over follower and push flush with o.d. Drop follower (5) into rear of collet (3) and onto rear of chuck jaws (4). (Note position in exploded view).
4. Thread collet (3) to extension-collet (8). Snug with 9/16" wrench to extension-collet (8) using flats. Drop spring (7) into rear of extension-collet (8).
5. Insert pintail tube (9) into i.d. of piston on tool. (Note position in exploded view). Thread assembled parts to piston. Snug with 9/16" wrench using flats of collet (3) and hex key into rear of piston of tool.
6. Slide anvil & holder assy (1) over assembled parts attached to piston on tool.
7. Slide retaining nut from tool onto anvil & holder assy (2) and tighten nose assy to tool.

## DISASSEMBLY:

Reverse assembly instructions.



2/09 REV 2/18

\*Remove for -6 NAS1919/21.

**GAGE BILT**  
MADE IN THE U.S.A.

44766 Centre Court Clinton Twp. MI 48038 USA  
Ph: +1 (586) 226-1500 Fax: +1 (586) 226-1505  
solutions@gagebilt.com / www.gagebilt.com

Type:		Fastener:	Recommended Tool:
Non Self-Releasing 1/8", 5/32" & 3/16" Ø		NAS1919 & NAS1921 <b>WITH DRIVE WASHER</b>	GB751
			Alternate Tools: GB722 & GB2480(A)
Ref. No.	Qty.	Description	<b>456UBR-751A-61</b>
1	1	Nose Tip	10206-1
2	1	Anvil-Holder Assy	10942-5
3	1	Collet	70105
4	1	Jaw Set	30513
5	1	Follower	40506-1
6	1	Bumper	70108
7	1	Spring	50316
8	1	Extension-Collet	70467
9*	1	Pintail Tube	40446