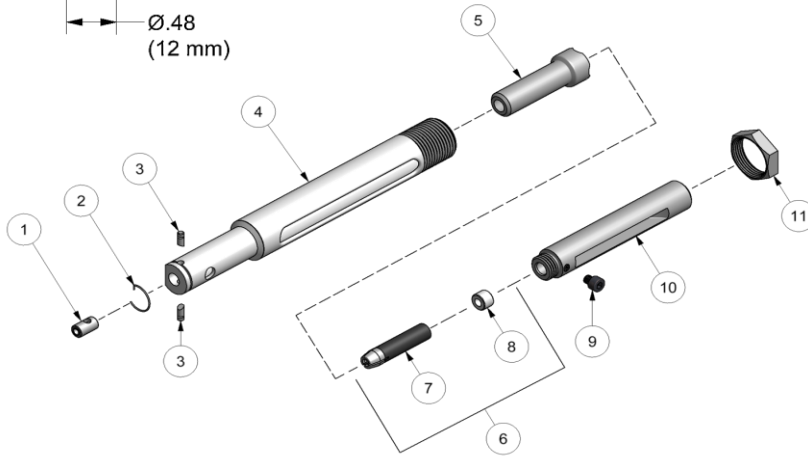
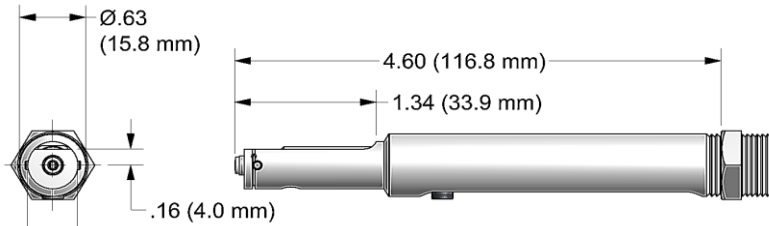


# NOSE ASSEMBLY DATA SHEET



**Effective FOD Control (foreign object damage/debris).** Install catcher bag on the front of the riveter to catch spent pintail stems. Place nose assembly through grommet on catcher bag and easily fasten catcher bag to tool using the Velcro strap. Features an easily emptied zippered pouch.

*Use catcher bag 500610 for XX-51-46 straight nose assemblies*

*Catcher bag sold separately*

**POINT NOSE ASSEMBY DOWN WHEN ATTACHING TO TOOL**

**ASSEMBLY:**

**Note:** If nose assy is assembled as it is when purchased new, follow step 5 to attach to tool.

1. Place super grip jaw assy (7) into rear of collet (5). note direction in exploded view. Then place spacer (8) behind super grip jaw assy (7).
2. Thread assembled collet (5) to extension collet (10) and tighten using flats provided.
3. Slide assembled collet (5) and extension-collet (10) into anvil holder (4). Align threaded hole in extension-collet (10) with slot in anvil holder (4).
4. Insert screw (9) into threaded hole on extension-collet (10) and tighten.
5. Thread extension-collet (10) to piston on tool and thread anvil holder (4) into tool. Tighten jam nut (11) to face of tool.

**DISASSEMBLY:**

Reverse assembly instructions.



1/99 Rev. 6/17

**GAGE BILT**  
MADE in USA

44766 Centre Court Clinton Twp. MI 48038 USA  
Ph: +1 (586) 226-1500 Fax: +1 (586) 226-1505  
solutions@gagebilt.com / www.gagebilt.com

Type:		Fasteners:	Recommended Tool:
Single Action Non Self-Releasing 1/8" Ø		NAS1398A/1399A NAS1738A/1739A RV1000/1100 & 12000	GB50
			Alternate Tools: GB51 & GB715
Ref. No.	Qty.	Description	4A-51-46
1	1	Anvil Insert	10154
2	1	Retaining Ring	50308
3	2	Ratchet Pin	15520
4	1	Anvil Holder	10318
5	1	Collet	20326
6	1	Jaw Assy (Incl. 7 & 8)	30428-A2
7	1	Super Grip Jaw Assy	30428-CS
8	1	Spacer	40461
9	1	Socket Head Cap Screw	70303
10	1	Drawbolt	70301
11	1	Jam Nut	70411