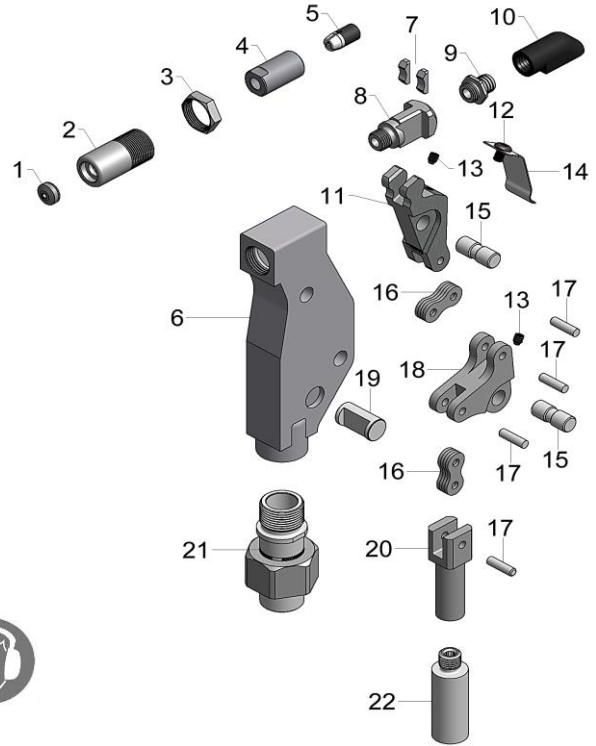
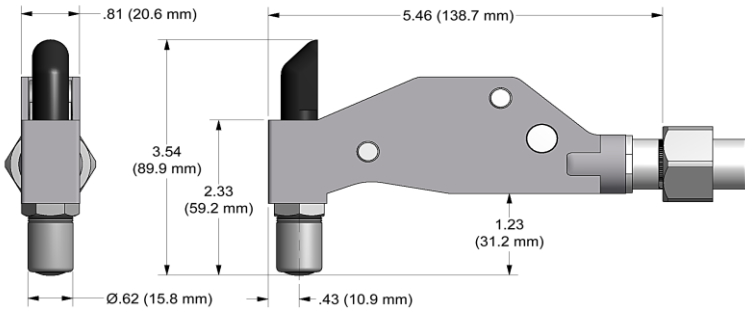


NOSE ASSEMBLY DATA SHEET



CAUTION!
Do not operate if pintail deflector is removed. Pintail may eject forcibly.
SEVERE PERSONAL INJURY MAY RESULT.

**GB731 USE 731154 STROKE LIMITER.
***GB752 USE 752142 STROKE LIMITER.
****MOST FASTENERS REQUIRE MORE THAN ONE PULL.



11/14 REV 12/15

GAGE BILT

GAGE BILT Inc.

44766 Centre Court (586) 226-1500
Clinton Twp. MI 48038 (586) 226-1505 Fax
e-mail:solutions@gagebilt.com / www.gagebilt.com

ATTACHMENT:

Disconnect air supply from tool. Hold back of drawbolt-collet (8) down with thumb. Thread anvil holder (2) into frame (6) until it bottoms out on collet (4). Loosen approximately 1/4 turn and tighten jam nut (3) securely to frame (6). Engage one or two threads of collet extension (22) onto piston assembly located on tool, then insert adapter assembly (21) into end of head cylinder assembly located on tool and turn clockwise until snug. Rotate nose assembly to desired position and tighten adapter assembly (21) securely. Reconnect air supply to tool.

DISASSEMBLY:

Loosen jam nut (3) and remove holder (2). Unscrew collet (4) which contains super grip jaw assembly (5) from drawbolt-collet (8).

Remove button head cap screw (12) and guard (14).

Remove two set screws (13) and push out two pivot pins (15) to permit removal of linkage. Shoe bearings (7) and drawbolt-collet (8) will disengage from lever (11).

Remove four link pins (17) to disassemble lever (11), links (16), bellcrank (18) and drawbolt (20).

Remove guide pin (19) from frame (6). Adapter Assembly (21) is secured to frame with Loctite® and need not be removed unless damaged.

REASSEMBLY:

Reverse the procedure. Linkage, consisting of lever (11), links (16), bellcrank (18) and drawbolt (20) should be assembled as a subassembly before inserting lever (11) into shoe bearings (7) and drawbolt-collet (8). **MAKE SURE NOTCHES ON DRAWBOLT-COLLET (8) ARE POINTING TOWARDS LEVER (11).** This complete subassembly may then be inserted into frame (6) and retained by guide pin (19) and pivot pins (15).

Type:		Fasteners:	Recommended Tool:
Single Action *1/8" Ø		NAS1398A/1399A RV 1000/1100 & 1200 *5/32 Ø AF5075 / AF5076 / S149A020	GB751
			Alternate Tools: **GB731 ***GB752
Ref. No.	Qty.	Description	4A-751C-54RA
1	1	Nose Tip	10488
2	1	Anvil Holder	10115
3	1	Jam Nut	70411
4	1	Collet	20327
5	1	Super Grip Jaw Assy	30418-S5
6	1	Frame	75310
7	2	Shoe Bearing	75311
8	1	Drawbolt-Collet	70486
9	1	Barbed Retainer	70575
10	1	Deflector	61107
11	1	Lever	75313
12	1	Button Head Cap Screw	402471
13	2	Set Screw	75315
14	1	Guard	75316
15	2	Pivot Pin	75317
16	8	Link	75318
17	4	Link Pin	75319
18	1	Bellcrank	75320
19	1	Guide Pin	75321
20	1	Drawbolt	75322
21	1	Adapter Assy	70459
22	1	Collet Extension	70463